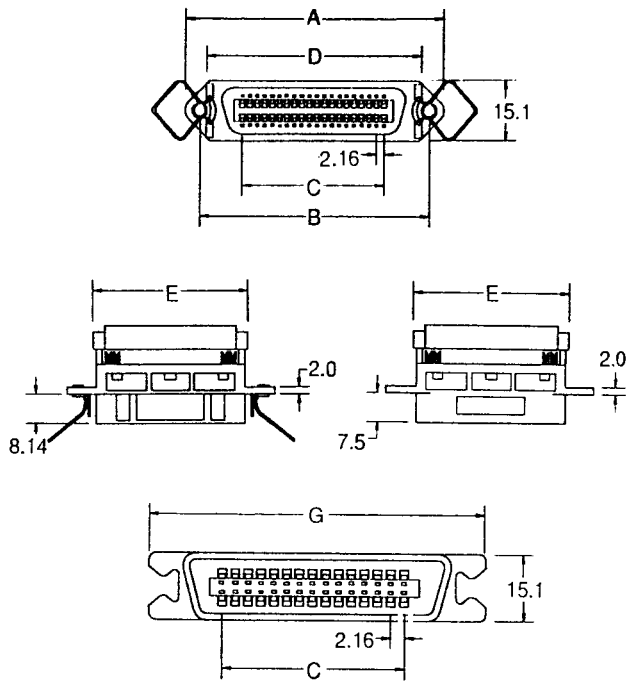


REVISION	DESCRIPTION	DATE	APPD
0	SETUP	5/18/87'	CY



NOTE I

MATERIAL

Shell: Nickel Plated
 Pin Contact: Phosphor Bronze Brass, Gold Selective Plated over nickel
 Insulator: PBT & 30% Glass fiber reinforced UL 94-V0
 Color: Blue

NOTE II

ELECTRICAL PERFORMANCE

Current Rating: 5 amp
 Dielectric Strength: 1000V for one min.
 Insulator resistance: 1000 Megohms Min DC 500V
 Temperature: -55°C to 105°C

76.70	68.50	74.25	51.80	74.90	82.80	50	5701-50
61.60	53.30	58.80	36.70	59.70	67.60	36	5701-36
76.70	68.50	74.25	51.80	74.90	82.80	50	5700-50
61.60	53.30	58.80	36.70	59.70	67.60	36	5700-36
G	E	D	C	B	A	Pos.	PART NUMBER

MATERIAL SEE NOTE I		DR Peter Wang
ELECTRICAL PERFORMANCE SEE NOTE II		CHK Zen Ten Chen
UNIT mm		APPD C Y Lin
SCALE None		APPD
		WEIGHT

HO CHIEN ENTERPRISE CO. LTD.	
CENTRONIC CONNECTOR; IDC TYPE, ALL PLASTIC 5700 MALE TYPE; BAIL LOCK 5701 FEMALE TYPE, STRAIN RELIEF	
PAGE 1 OF 1	HO CHIEN P/N NO. 5700-XX 5701-XX