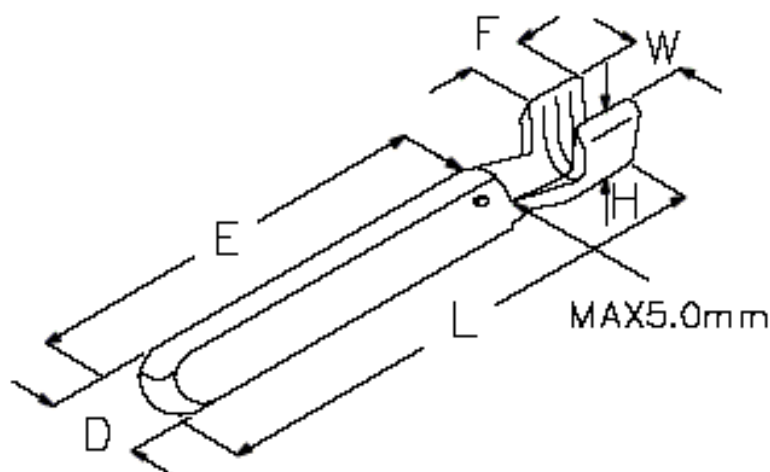


FIG : Various Earth Pins Terminals $\phi 4.75\text{mm}$ Pin



WIRE GAUGE AWG	DIMENSIONS T x W x P	STD PKG Q'TY	NW KGS	MATERIAL /FINISH	SURFACE PROCESS	SERIAL OR SINGLE TYPE
14-18	0.7X37.9X14.6	3000	6.45kg	Brass 1/2H	-0 -1	Serial

ITEM	SPECIFICATION	REMARK	ITEM	SPECIFICATION	REMARK
T	0.7 ±0.03				
L	32.5 ±0.25		F	4.0 ±0.25	
E	24.5 ±0.25		W	4.9 ±0.30	
D	4.75 $\begin{matrix} -0 \\ -0.05 \end{matrix}$		H	4.9 ±0.30	

DIMENSION MEASURING SCALE UNIT : mm

PART NO : 98475

APPROVAL

AUDITOR

DRAWNER

DATE : 2003 10/24



SCALE : 2/1