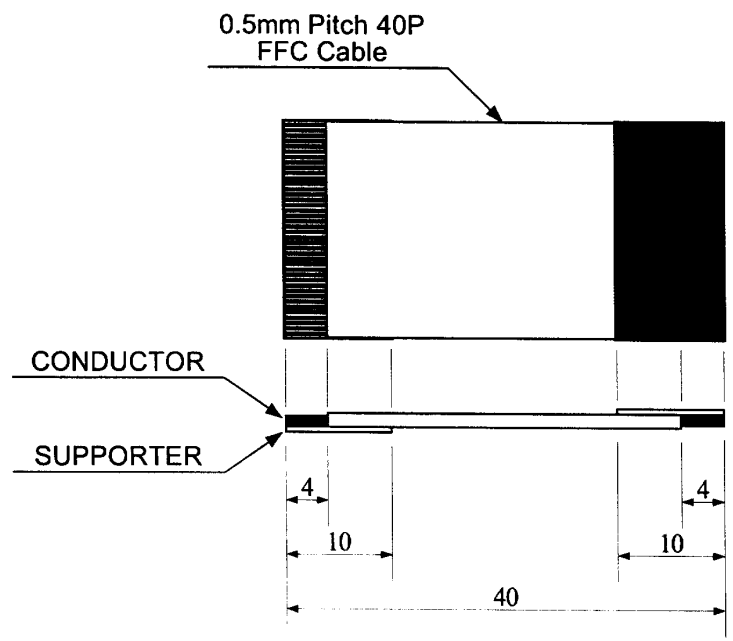


(Base Unit : mm)

EC	REV	DESCRIPTION	DATE	APPR.
2404	A	INITIAL RELEASE	10/29/04	NT
2464	B	SUPPORTER POSITION WAS REVISED.	01/21/05	NT
-	-	-	-	-



APPROVALS		DATE	HO CHIEN <i>www.hochien.com</i>		
DRAWN	N. TONE	01/21/05	PART NAME Wire Harness Drawing110296 (B)		
CHECK	N. TONE	01/21/05	HRNS, NAMB2, FFC CABLE		
ENGR.	N. TONE	01/21/05	SIZE B	SHEET 1 OF 1	PART NO. CA-C1298-0005