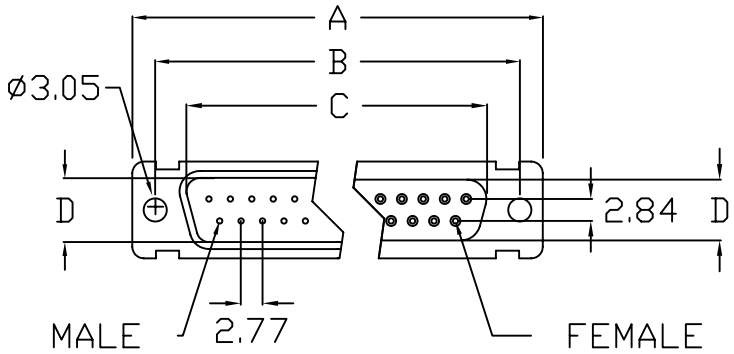
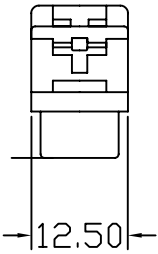
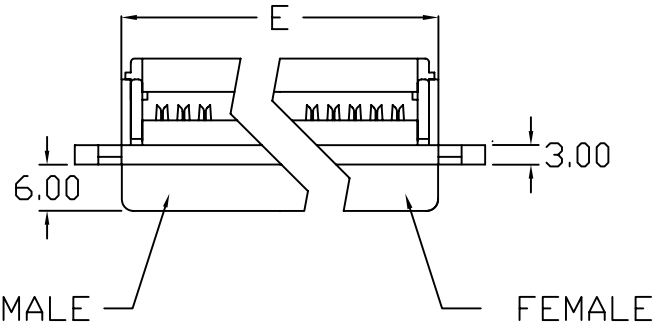


REVISION	DESCREPTION	DATE	APPD
0	SET UP	JAN/12/2007	C.Y.LIN



**CONTACT TYPE** — 3037 - □ □ □ □  
 0=Male (Plug)  
 1=Female (Receptacle)  
**NO. OF CONTACT** —  
 1=9Pin  
 2=15Pin  
 5=25Pin  
 6=37Pin  
**CONTACT PLATING** —  
 Blank=Selectiv Gold plated  
 F=10u" Inch Gold  
 E=15u" Inch Gold  
 D=30u" Inch Gold  
**INSULATOR COLOR** —  
 Blank=Blue  
 Bk=Black

**MATERIAL & ELECTRICAL**  
 INSULATOR : PBT & 30% Glass-fibre UL 94-V0  
 CONTACT : Phosphor bronze  
 PLATING : Selective gold-flash over nickel  
 CURRENT RATING : 1A (28 AWG)  
 DIELECTRIC STRENGTH : 1000V for one minute  
 INSULATOR RESISTANCE : 1000M $\Omega$  Min. at 500V DC  
 TEMPERATURE : -55°C ~ +105°C

3037 Dimension ( mm ) Tolerance :  $\pm 0.2$

Position	Plug ( M ) / Recept ( F )	A	B	C	D	E
9	Plug (M)	30.81	24.88	16.92	8.36	19.28
	Recept (F)			16.33	7.90	
15	Plug (M)	39.14	33.32	25.25	8.36	27.51
	Recept (F)			24.66	7.90	
25	Plug (M)	53.04	47.04	38.96	8.36	41.30
	Recept (F)			38.38	7.90	
37	Plug (M)	69.32	63.50	55.42	8.36	57.71
	Recept (F)			54.84	7.90	



TITLE :  
 D-SUB IDC TYPE ALL PLASTIC ; FOR FLAT RIBBON CABLE

DR: RON CHEN	CHK: J.T.CHEN	APPD: C.Y.LIN	PAGE: 1 OF 1	HO CHIEN P/N. 3037 SERIES
--------------	---------------	---------------	--------------	---------------------------