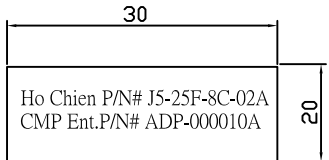
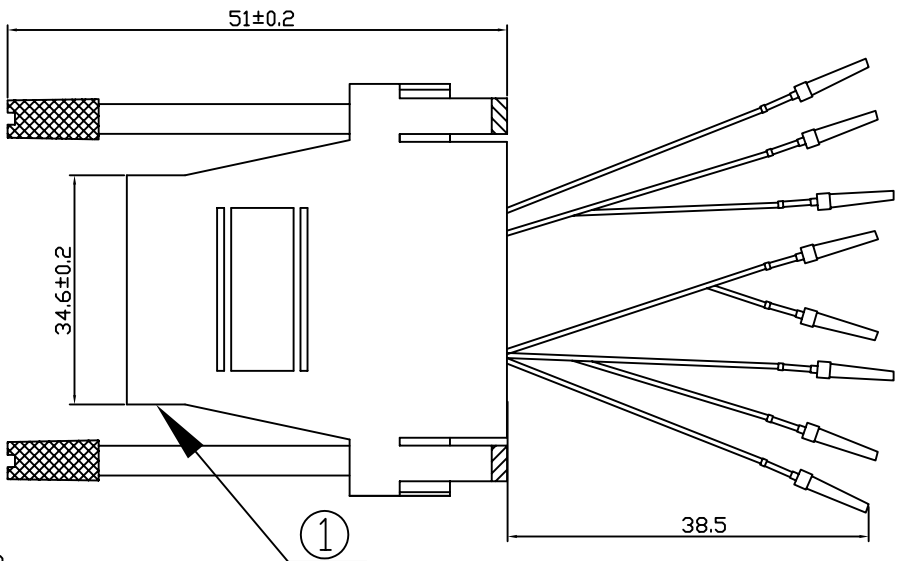
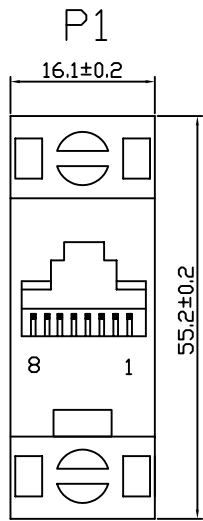
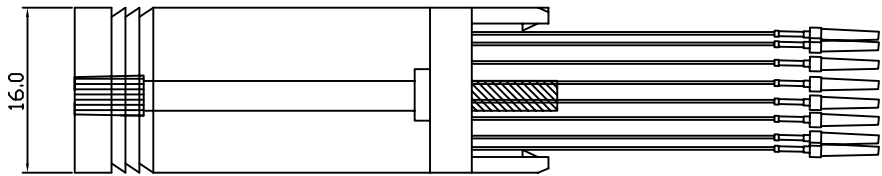
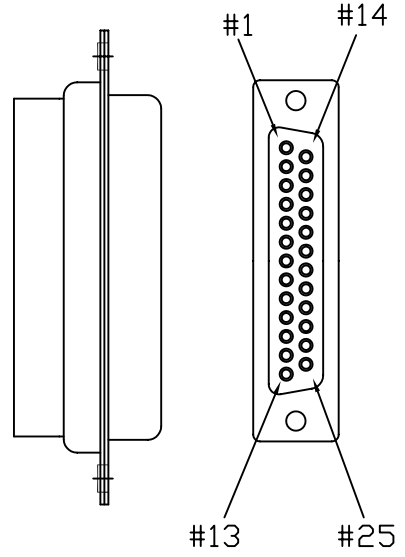


REVISION	DESCREPTION	DATE	APPD
	SET UP	JUL/14/2007	C.Y.LIN



RoHS COMPLIANT

PIN ASSIGNMENT		
P1		
1	BLUE	T
2	ORANGE	T
3	BLACK	T
4	RED	T
5	GREEN	T
6	YELLOW	T
7	BROWN	T
8	WHITE	T



NOTE:
 1.DB頭直接放入PE袋中,不要插端子.
 2.DB頭為打端子式

*	390	CARTON:46*30*25CM		A/R	PCS
*	390	PE BAG:30*28*0.08MM		A/R	PCS
*	390	LABEL:"J5-25F-8C-02A"30*20MM		1/50	PCS
*	390	PE BAG:12*14*0.06MM		1/50	PCS
*	390	PE BAG:3*6*0.06MM		1	PCS
1		RJ45 JACK-DB25F轉接頭 BLACK		1	SET
NO	PART NO,	DESCRIPTION		QTY	UNIT

HO CHIEN ENTERPRISE CO. LTD

TITLE: CUSTOM ADAPTOR

PAGE: 1 OF 1

HO CHIEN P/N. J5-25F-8C-02A

DR: RON CHEN	CHK: J.T.CHEN	APPD: C.Y.LIN
--------------	---------------	---------------