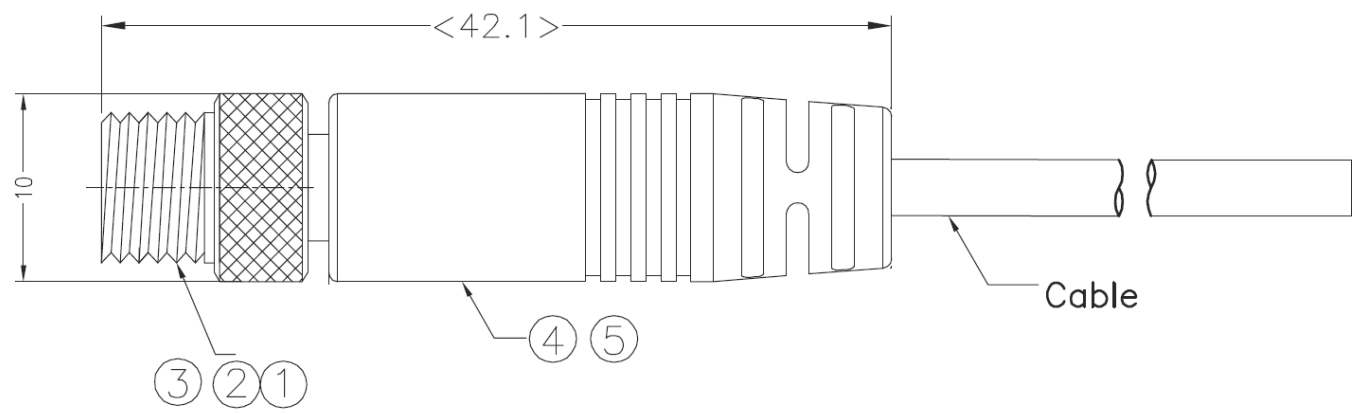
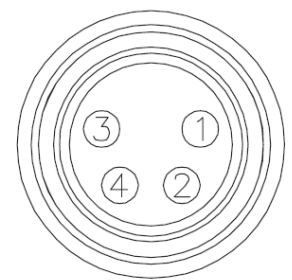


5	6	7	8
REV.	ECN NO.	DATE	SIGN
DESCRIPTION			



Note:  
 1. <math>\langle \quad \rangle</math> Important Dimension.  
 2. Cable  
 3. Waterproof: IP67  
 3. Current Rating: 5A



**Pin Assignments**  
 Front View

5	Iner-Molding	White	TPE	1	
4	Outer-Molding	Black	HDPE	1	
3	Pin		QSn4-3,Gold Plated	4	
2	Shield		Brass,Nickel Plated	1	
1	Connector	Black	Nylon	1	
NO.	NAME	COLOR	SPECIFICATION	QTY	NOTE

UNIT:mm		TITLE
TOLERANCE		M8 Series Sensor Connector
		4Pin Male Connector Female Pin
SCALE	Free	SHEET 1 OF 1

**HO CHIEN**

CGR8-04AFMM-SL7	lee	12/17/2010
DWG NO CGR8-04AFMM-SL7	CHECKED BY Panson	DATE 12/17/2010