

SPECIFICATIONS

- ① Housing Material: Polyamide 66(UL94V-0), Black
- ② Screw: M3.5 Nickel Plated Steel
- ③ Terminals: Tin Plated Brass
- ④ Plate: Tin Plated Brass

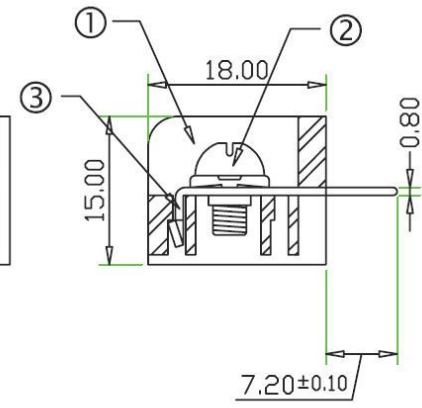
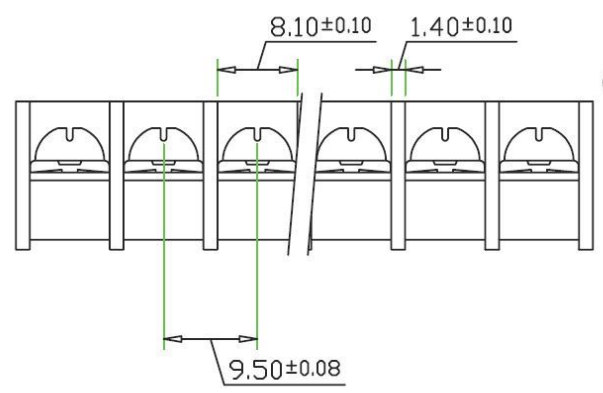
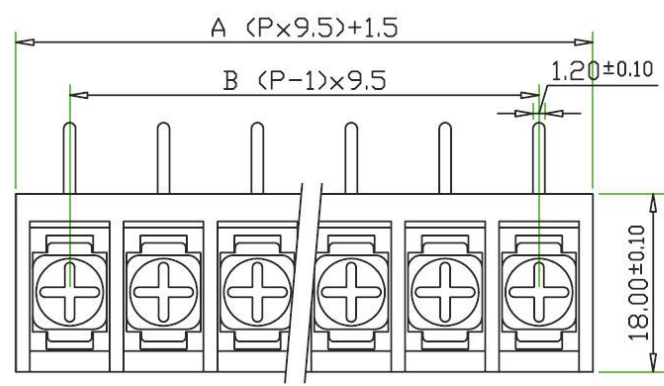
Screws Torque: 10 In-Lb
 Wire Range: 14~22 AWG
 Rated: 15 Amperes.AC250V
 Operation Temperature: -55°C~+95°C
 Insulation withstands volt: AC2000V min
 Insulation resistance: >1000Ω or more at DC500V

Part Number:

HB-952- P

Pole Size 2~32P

Tolerance ± 0.5



POLE	2	3	4	5	6	7	8	9	10	11	12	13	14	15			
A	20.5	30	39.5	49	58.5	68	77.5	87	96.5	106	115.5	125	134.5	144			
B	9.5	19	28.5	38	47.5	57	66.5	76	85.5	95	104.5	114	123.5	133			
POLE	16	17	18	19	20	21	22	23	24	25	26	27	28	29	30	31	32
A	153.5	163	172.5	182	191.5	201	210.5	220	229.5	239	248.5	258	267.5	277	286.5	296	305.5
B	142.5	152	161.5	171	180.5	190	199.5	209	218.5	228	237.5	247	256.5	266	275.5	285	294.5



<h2>HO CHIEN</h2> <p>www.chien.com</p> <p>Barrier type terminal block</p>	REV.	CONTENT	DATE	NO.	PART NO.	DrawingNo	DATE	DrawingNo	HB-959504
	△			①				Scale	2:1 (:) ⊕ ⊞
				②		APPROVED	DATE	Sheet	1/1
				③		CHECK	DATE	Unit	mm
				④					