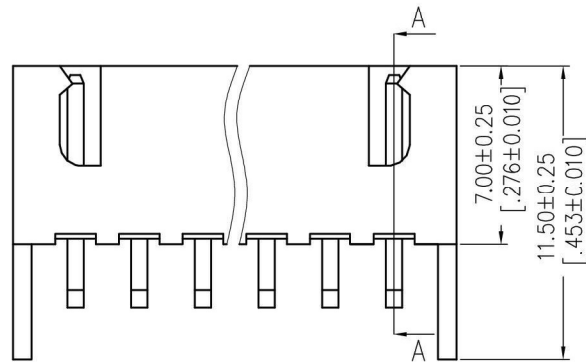
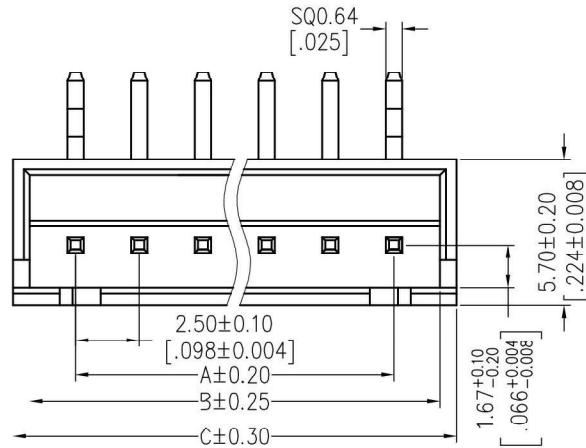
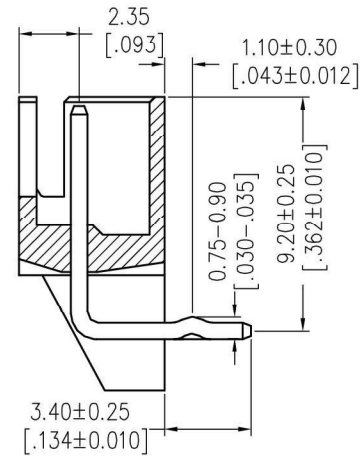
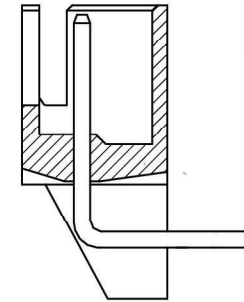
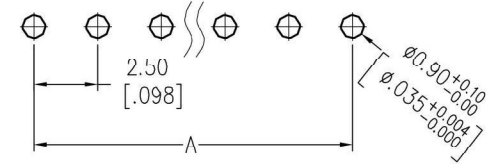


NOTES:
 Rated Current: 3.0AV[▷]
 Contact Resistance: 20mΩ max
 Withstand Voltage: 800V AC/DC
 Insulation Resistance: 1000MΩ min
 Operation Temperature: -25℃ to +85℃

Contact Material: Brass
 Contact plating: Au Or Sn Over Ni
 Insulator Material: PA66 Or PA46 UL94V-0



Recommended P.C.B Layout (Top Side)
 (PCB BOARD TOLERANCE ± 0.05)



Specification & Ordering Information:

Circuit	Part No.	Dimension		
		A	B	C
02	HCA8823-02	2.50	6.1	7.4
03	HCA8823-03	5.00	8.6	9.9
04	HCA8823-04	7.50	11.1	12.4
05	HCA8823-05	10.00	13.6	14.9
06	HCA8823-06	12.50	16.1	17.4
07	HCA8823-07	15.00	18.6	19.9
08	HCA8823-08	17.50	21.1	22.4
09	HCA8823-09	20.00	23.6	24.9
10	HCA8823-10	22.50	26.1	27.4
11	HCA8823-11	25.00	28.6	29.9
12	HCA8823-12	27.50	31.1	32.4
13	HCA8823-13	30.00	33.6	34.9
14	HCA8823-14	32.50	36.1	37.4
15	HCA8823-15	35.00	38.6	39.9
16	HCA8823-16	37.50	41.1	42.4
20	HCA8823-20	47.50	51.1	52.4

REV		DATE	MODIFICATION DESCRIPTION		CHANGE	OPERATION	DRAW	DATE	SCALE	FIT	PART NO. HCA8823-XX		Ho Chien www.hochien.com	
A0			NEW			X.X ± 0.40	CHECK	DATE	UNIT		TITLE:			
						X.XX ± 0.25	APPROVE	DATE	SIZE	A4	Customer NO.			
						X.XXX ± 0.15			SHEET	1/1				
						Angle ± 3'			PROJ.					
						DIM TOL								