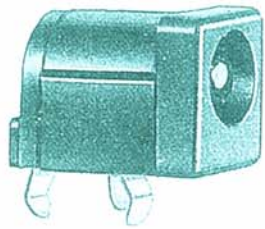
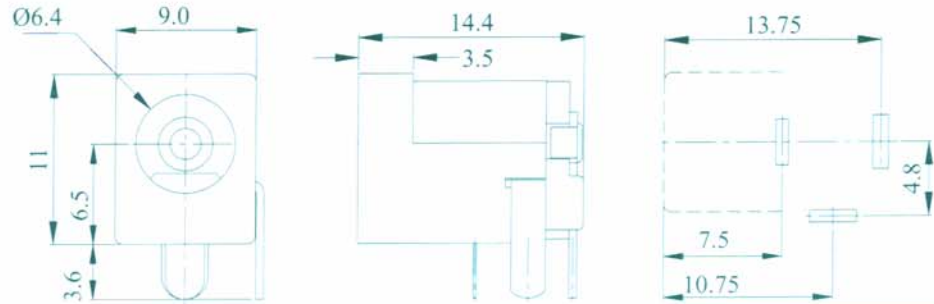


DC-001

D.C. POWER JACK :

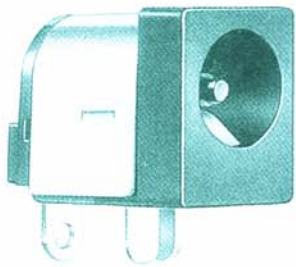
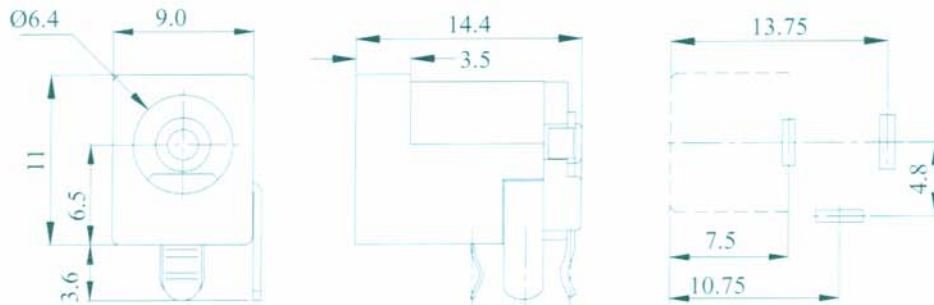
There are four types of pin diameter : 2.00mm(A), 2.50mm(B), 2.35mm(C), 1.87mm(D)



DC-001-X

D.C. POWER JACK :

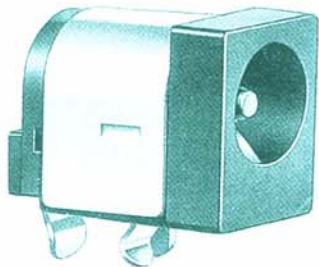
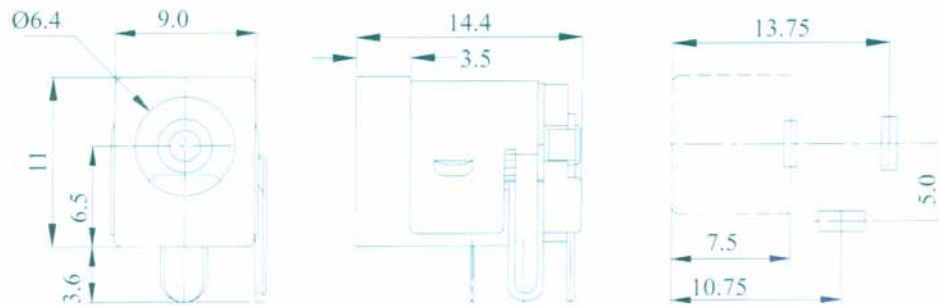
There are four types of pin diameter : 2.00mm(A), 2.50mm(B), 2.35mm(C), 1.87mm(D)



DC-011

D.C. POWER JACK WITH SHIELD :

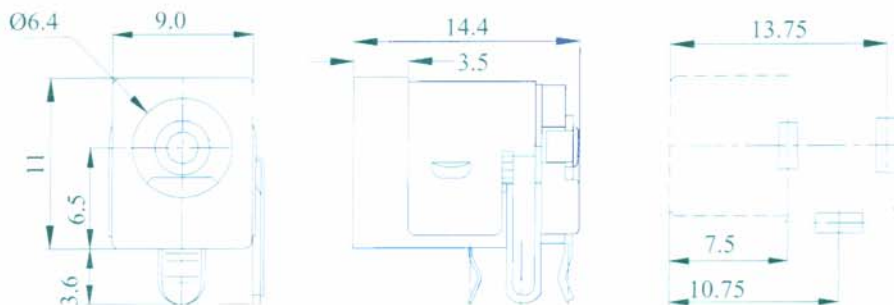
There are four types of pin diameter : 2.00mm(A), 2.50mm(B), 2.35mm(C), 1.87mm(D)



DC-011-X

D.C. POWER JACK WITH SHIELD :

There are four types of pin diameter : 2.00mm(A), 2.50mm(B), 2.35mm(C), 1.87mm(D)



SPECIFICATION:

INSULATION RESISTANCE: 50M OHM MIN. AT 500V D.C.

DIELECTRIC STRENGTH: AC 250V r.m.s. / 1 MINUTE.

CONTACT RESISTANCE: 30m OHM MAX.