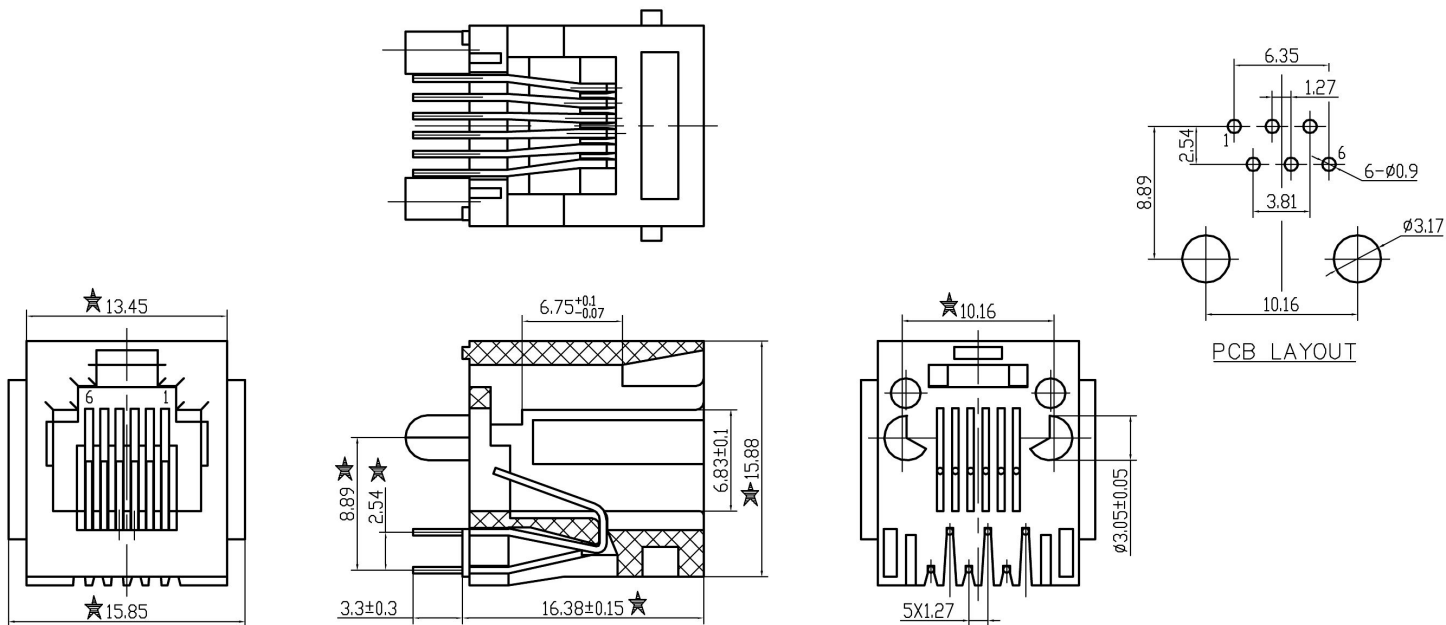


REV.	ECN NO.	DATE



- NOTES:
- ELECTRICAL:
 - VOLTAGE RATING: 125 VAC RMS;
 - CURRENT RATING: 1.5 AMP;
 - CONTACT RESISTANCE: 20 MILLIOHMS Max;
 - INSULATION RESISTANCE: 1000 MEGOHMS Min @500 VDC;
 - DIELECTRIC STRENGTH: 1000 VAC RMS 50 or 60Hz 1 Minute;
 - MECHANICAL:
 - HOUSING: PBT, UL94V-0, BLACK;
 - TERMINALS: DIA 0.46 PHOSPHOR BRONZE PLATED 3u" Au;
 - DURABILITY: 750 CYCLES Min.
 - ★ Critical Dimension.

RoHS Compliant

HO CHIEN ELECTRONICS				TOLERANCES 0~15: ±0.15 15~30: ±0.20 30~: ±0.25 ANGLES: ±1°		MATERIAL: SEE NOTE		DESIGNED:		NAME: HC-5222-6P6C (MOON PEG)	
						FINISH: SEE NOTE		CHECKED:		DWG NO: Q07081303	
		SCALE		UNIT		CUSTOMER:		SHEET 1 OF 1		APPROVED:	
SIZE		2.5:1		mm		MODEL NO.:		00			