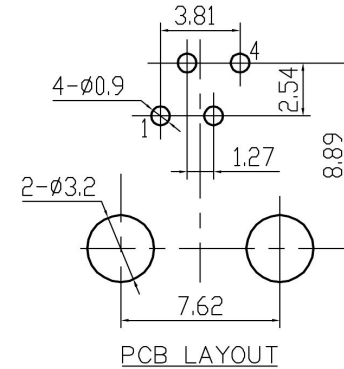
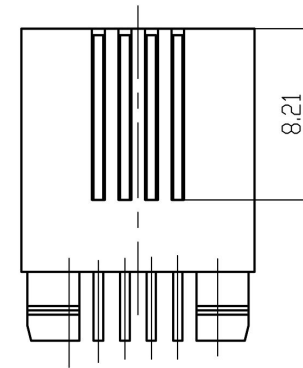
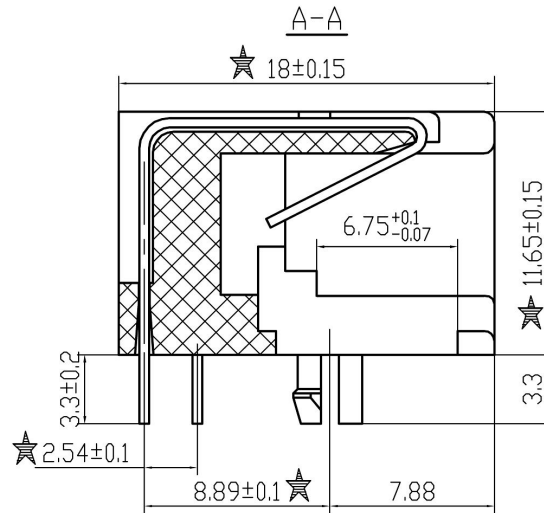
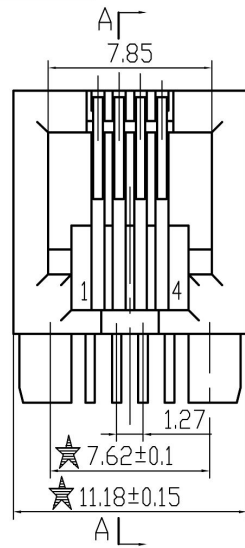


YH-53-01

REV.	ECN NO.	DATE



- NOTES:
- ELECTRICAL:
 - VOLTAGE RATING: 125 VAC RMS;
 - CURRENT RATING: 1.5 AMP;
 - CONTACT RESISTANCE: 20 MILLIOHMS Max;
 - INSULATION RESISTANCE: 1000 MEGOHMS Min @500 VDC;
 - DIELECTRIC STRENGTH: 1000 VAC RMS 50 or 60Hz 1 Minute;
 - MECHANICAL:
 - HOUSING: PBT, UL94V-0, BLACK;
 - TERMINALS: DIA 0.46 PHOSPHOR BRONZE PLATED 3u" Au;
 - DURABILITY: 750 CYCLES Min.
- ★ Critical Dimension.

RoHS Compliant

<h1>HO CHIEN</h1>				TOLERANCES		MATERIAL: SEE NOTE		DESIGNED:		NAME: HC-5321-4P4C	
				0~15: ±0.15		15~30: ±0.20		FINISH: SEE NOTE		CHECKED:	
			SCALE	UNIT	CUSTOMER:	30~ : ±0.25		APPROVED:		PART NO:	
SIZE		3.5:1	mm	MODEL NO.:	ANGLES: ±1°		SHEET 1 of 1		REV		00