
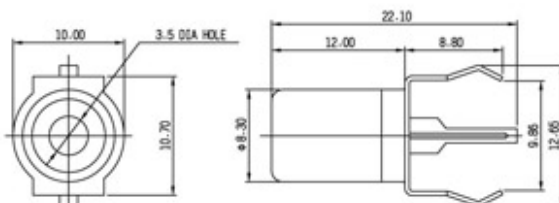
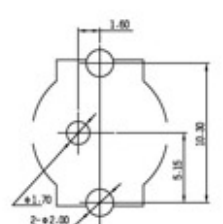

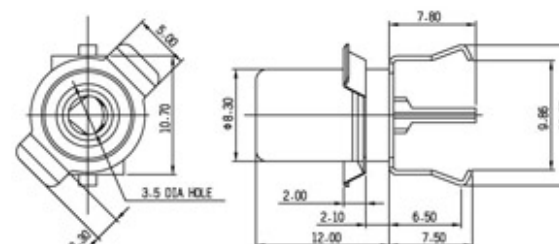
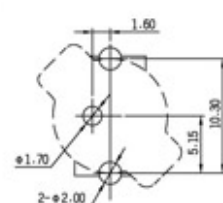

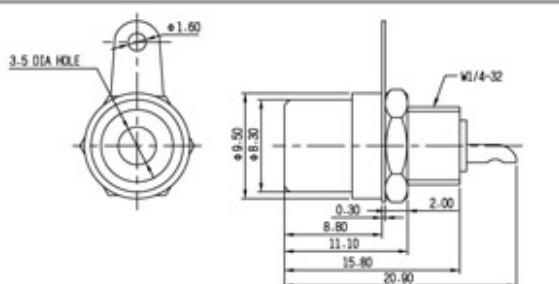
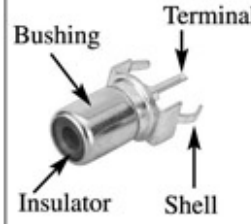

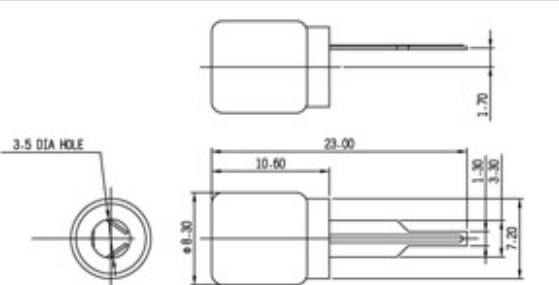
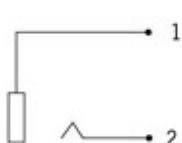


SCP606 / SCP607 / SCP608 SERIES

	P/N	Dimension (m/m)	Pin Hole Layout (Jack Bottom View)
 SCP 606*****00	SCP 606*****00		
 SCP 606*****10	SCP 606*****10		
 SCP 607	SCP 607		Figure 
 SCP 608	SCP 608		Schematic Code  U

Construction

- 1. Shell : Steel
- 2. Terminal : Brass
- 3. Bushing : Brass / Steel

Specification

- 1. Insulation resistance : 100MΩ (min.) (initial)
- 2. Contact resistance (initial) : 30mΩ (max.) at AC100mA(max.) 1KHz
- 3. Dielectric withstanding voltage : AC 500V, 60Hz for 1 minute
- 4. Insertion force : 3Kgs (max.)
Extraction force : 0.4Kgs (min.)
- 5. Life test : 150 cycles unloading (20-30 cycle/minute)
- 6. Humidity test : 40±2°C, 90~95%, 48hrs

Ordering Information

SCP606

① ② ③ ④ ⑤ ⑥ ⑦

- ① : Series No.
SCP606 / SCP607 / SCP608
- ② : Schematic option ("U" only)
- ③ : Bushing plating ("N" is standard)
N : Nickel G : Gold flash
- ④ : Terminal plating ("T" is standard)
T : Tin G : Gold flash N : Nickel F : Foggy tin
SCP607 : "N" is standard
- ⑤ : Insulator color code
1 : Black 2 : Red 3 : White 4 : Yellow
5 : Blue 6 : Gray 7 : Green 8 : Orange 9 : Brown
Other options : A~Z
- ⑥ : Shell plating ("T" is standard)
T : Tin G : Gold flash F : Foggy tin
SCP607 , SCP608 : "0" only (Without shell)
- ⑦ : Special option
0000 : Without grounding plate
0010 : With grounding plate