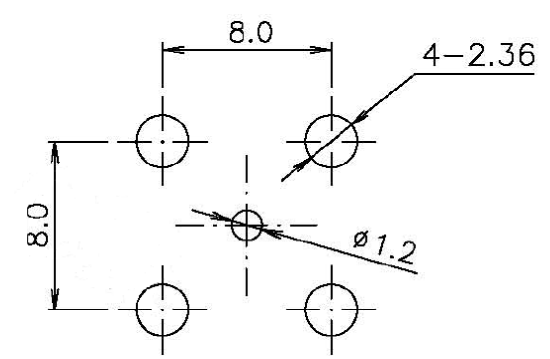
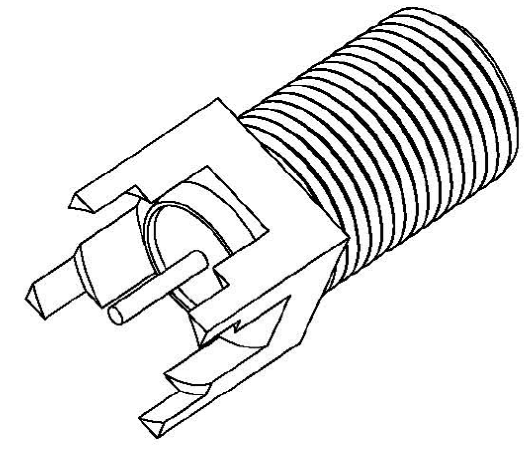
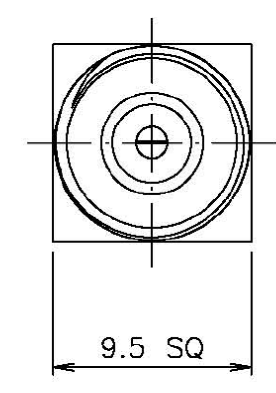
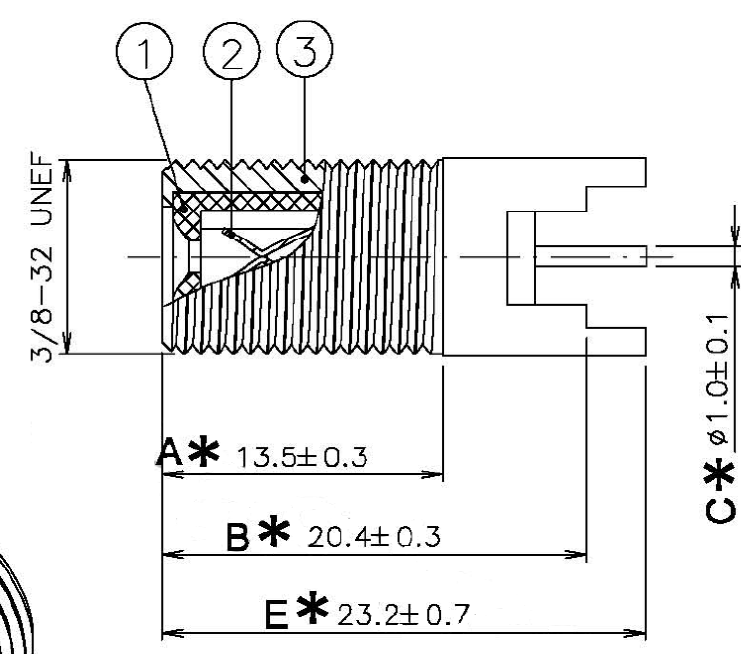
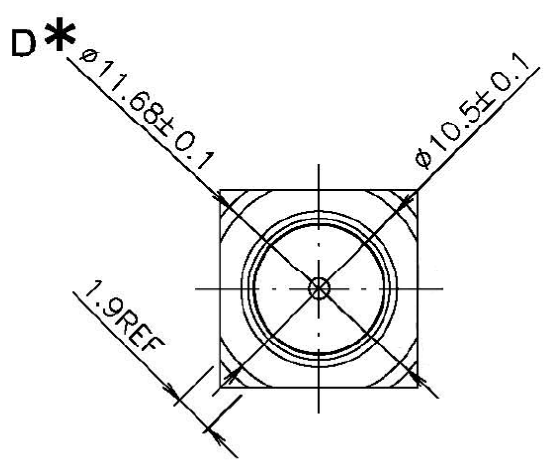


NOTE: F FEMALE PCB MOUNT



注: " * "重点检测尺寸

3	brass	nickel	≥ 2.0
2	cu	tin	≥ 2.0
1	pp		
	Material	Plated	Thickness(um)

HO CHIEN www.hochien.com				TITLE	成品图	UNITS	mm	SCALE	3:1
				PART NO.	F-0804-08-01	\triangle			
APPROVED	GLAZE	DRAWING	DESIGN	DRAWING NO.	A-F20110031	\triangle			
		X.H.B	X.H.B	GLAZE		\triangle	2011/04/01	A	
				MATERIAL		SYE	DATE	REV.	