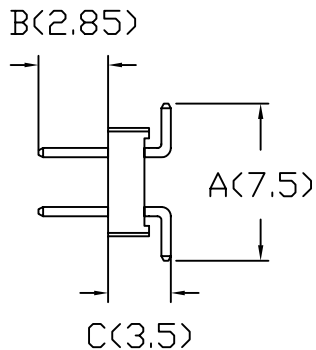
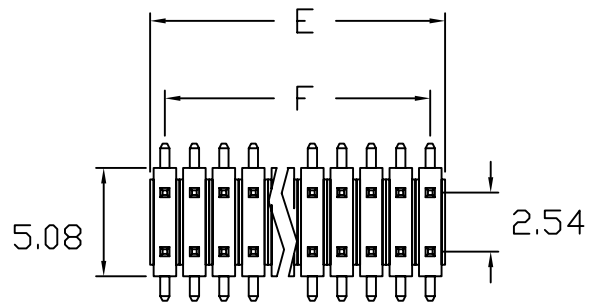
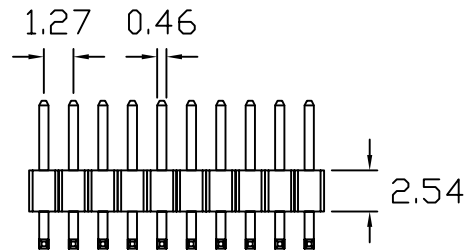


REVISION	DESCREPTION	DATE	APPD
0	SET UP	APR/11/2006	C.Y.LIN

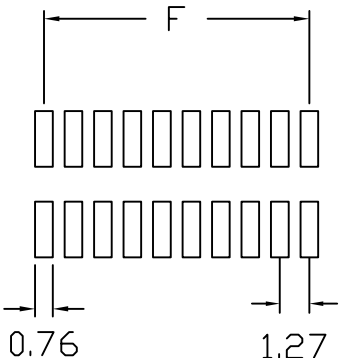


2274M - 2 x □  
**TYPE** \_\_\_\_\_  
 M=S.M.T.  
**PIN NO.** \_\_\_\_\_  
 3 ~ 50 pos



Dimension ( mm )	3 to 50 pos. avail. per row
E	1.27 x No. of position per Row
F	1.27 x No. of position per Row - 1.27

MATERIAL & ELECTRICAL  
 INSULATOR : Nylon 6T  
 CONTACT : COPPER ALLOYS  
 PLATING : Gold flash plated over Nickel  
 CURRENT RATING : 1 Amp  
 CONTACT RESISTANCE : 20mΩ Max. at 100mA DC  
 INSULATOR RESISANCE : 500MΩ Min. at 500V DC  
 TEMPERATURE : -55°C ~ +105°C  
 COLOR : Black



P.C.Board Layout

UNIT : mm  
 TOLERANCE : ±0.2



TITLE : 0.05"(1.27mm)x0.1"(2.5mm) PIN HEADER  
 SMT TYPE DUAL ROW STRAIGHT

DR: RON CHEN	CHK: J.T.CHEN	APPD: C.Y.LIN	PAGE: 1 OF 1	HO CHIEN P/N. 2272M - 2 x □
--------------	---------------	---------------	--------------	-----------------------------