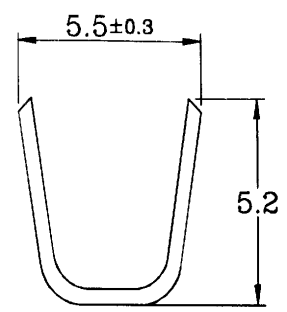
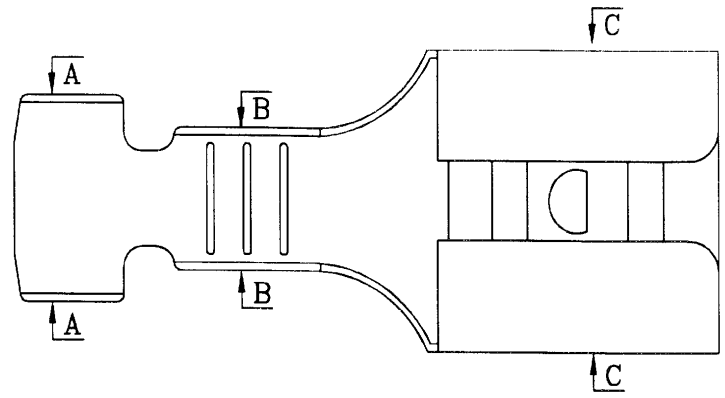
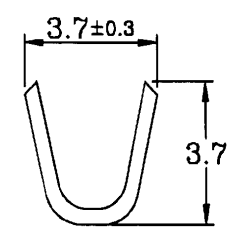


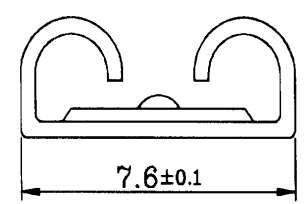
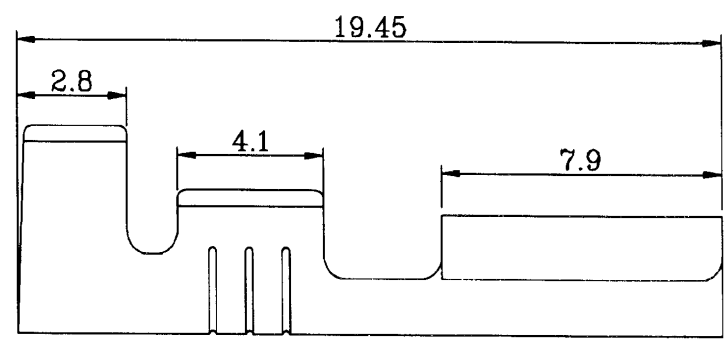
# 250 Series Receptacles Terminal



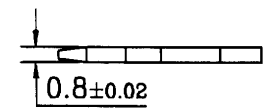
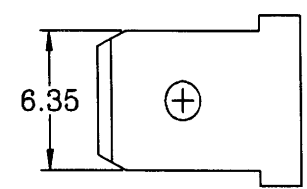
Section A-A



Section B-B



Section C-C



**Specifications & Ordering Information:**

Part No	Thickness	Material	Wire Range	Insulation O.D.	Finish	Qty/reel	Mating Tab	Mates With
2208BS-0	0.4	Brass	AWG #14-18	3.5-2.8 mm	None	6,000 PCS	6.35 × 0.8 mm	2308BS 2306BS 2318BL 2324BS 2304BS 2313BL 2312BL Terminals
2208BS-1	0.4	Brass	AWG #14-18	3.5-2.8 mm	Chemical Grinding	6,000 PCS	6.35 × 0.8 mm	
2208BS-2	0.4	Brass	AWG #14-18	3.5-2.8 mm	Tin-Plated	6,000 PCS	6.35 × 0.8 mm	

REV.	DATE	REV.	DATE
A	2,07,1999		
B	12,01,1999		

HO CHIEN

www.hochien.com

UNIT : mm	APPROVAL	CHECKED	DRAWING	PRODUCT NO.
TOLERANCE : .000 : ±0.08 .00 : ±0.13 .0 : ±0.25	<i>Gary</i>	<b>C.W Wu</b>		2208