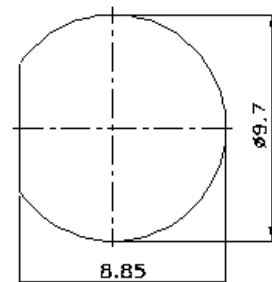
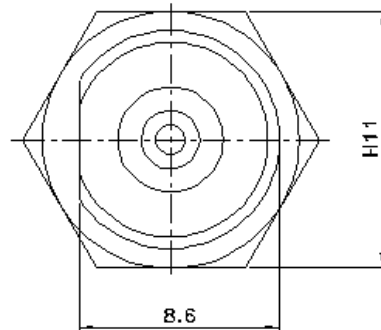
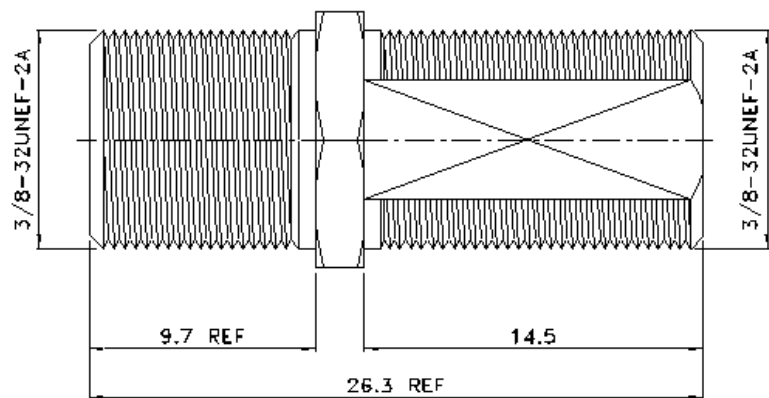


REV	DESCRIPTION\PER REQUEST	DRAWN	DATE



RECOMMENDED
MOUNTING HOLE
(建議架設孔)

5	Washer(W-188)	1	Brass	Nickel
4	Dielectric(T-09049)	2	Teflon	None
3	Pin(C-09045-BU)	2	Beryllium	Gold
2	Pin(C-09053)	1	Brass	Gold
1	Body(B-09071)	1	Brass	Nickel
NO	Description	Q'ty	Material	Finish

PART NO.	
APPROVED	DATE 02/23/08
CHECKED	DATE 02/23/06
DRAWN 楊郁雯	DATE 02/23/06

* MAJOR DIMENSION	
UNLESS OTHERWISE NOTED TOLERANCES	
0.5-6=±0.2	
6-30=±0.4	
30-120=±0.6	
120-315=±1.0	
ANGLES=±1°	
SCALE	4/1 UNIT mm

HO CHIEN www.hochien.com		TITLE	F DOUBLE JACK ADAPTER
		DRAWING NO.	F-1621-3-TGN
FILE NO. W:\DWD\COMPOSE\F\F-1621-3-1CN		REV	A