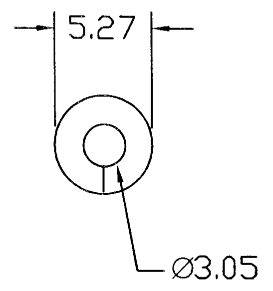
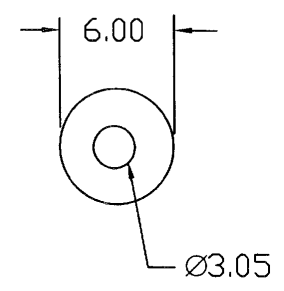


| REVISION | DESCREPTION | DATE | APPD |
|----------|-------------|-------------|---------|
| 0 | SET UP | OCT/05/2003 | C.Y.LIN |

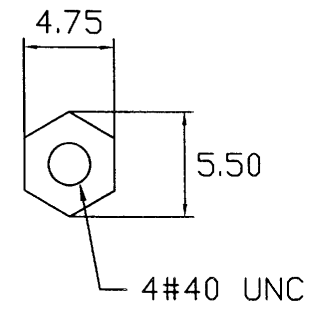
N023-3
(SW01)



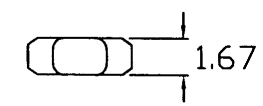
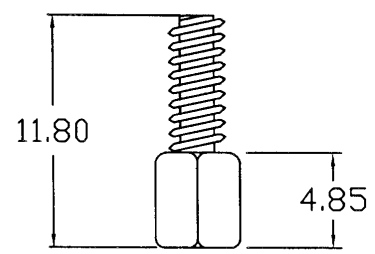
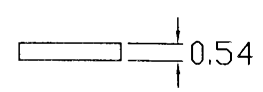
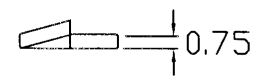
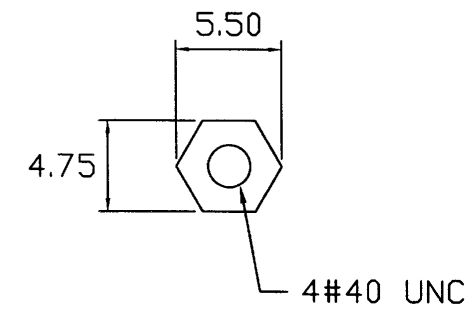
N023-4
(W001)



N023-1
(N003)




N023-2
(N008)



MATERIAL
STEEL : Nickel plated

UNIT : mm
TOLERANCE : ±0.1

| | |
|--|---------------------------|
|  HO CHIEN ENTERPRISE CO. LTD | |
| TITLE : Hardware | |
| PAGE: 1 OF 1 | HO CHIEN P/N. N023 SERIES |

| | | |
|---------------|----------------|----------------|
| DR : RON CHEN | CHK : J.T.CHEN | APPD : C.Y.LIN |
|---------------|----------------|----------------|