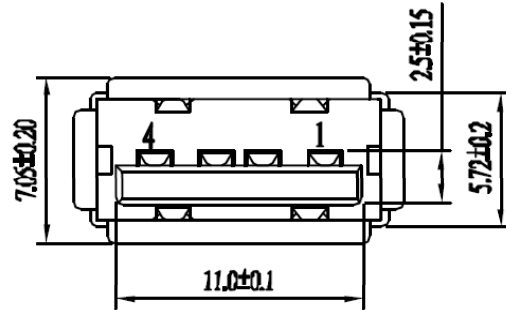
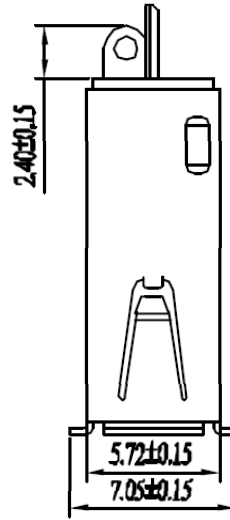
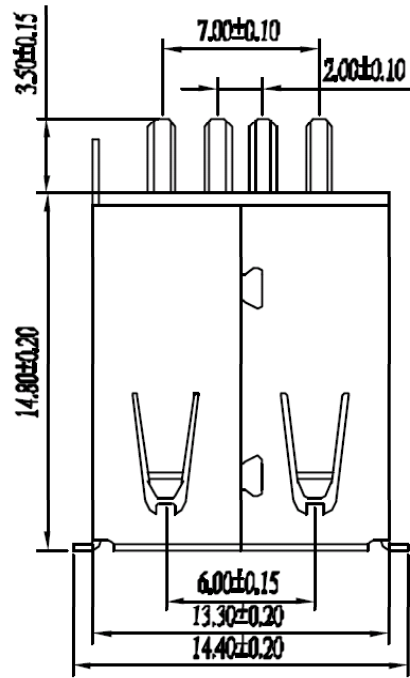


REV.	ECN NO	LOCATIONS	DESCRIPTION	DATE	REVISER	APPO



Note:

1.Material:

- 1.1 Insulator: P.B.T UL 94-V0 rated.
- 1.2 Contact: Copper alloy, $t=0.25\text{mm}$.
- 1.3 Shell: Copper alloy, $t=0.30\text{mm}$.

2.Specification:

- 2.1 Current rating: 1 A Max.
- 2.2 Dielectric withstanding voltage: 500 V(ac) for 1 minute.
- 2.3 Contact resistance: 30 mW Max.
- 2.4 Insulation resistance: 1000 MW Min at DC 500V.
- 2.5 Total mating force: 3.57 Kgf Max.
- 2.6 Total unmating force: 1.02 Kgf Min.
- 2.7 Temperature range: $-55^{\circ}\text{C}\sim+105^{\circ}\text{C}$

3.Finishes:

- 3.1 contacts: Gold flashed 1u", 3u", 5u", 10u", 15u", 30u".
- 3.2 Shell: Nickel plated.

3	Shell	1	Copper alloy	T=0.30mm	Nickel Plated
2	Contact	4	Copper alloy	T=0.25mm	Gold Flashed
1	Housing	1	P.B.T	UL 94-V0	Black/Ivory
No.	Name	Qty	Material	Remarks & Thickness	Finish

PART NO:		MATERIAL:		HO CHIEN www.hochien.com	
MODEL NO:		FINISH:			
UNIT:	SIZE: A4	COLOR:		PART NAME:	
TOLERANCE UNSPECIFIED		DR: 常春 150670		USB-A TYPE SOLDER(F)	
.x	±0.3	CHK: Song 150670		DWC NO: 280-01	
.xx	±0.20	APP: Kent 150670		REV: A1	
.xxx	±0.100			SCALE: 3:1	
ANG	±1°			SHEET: 1 of 1	