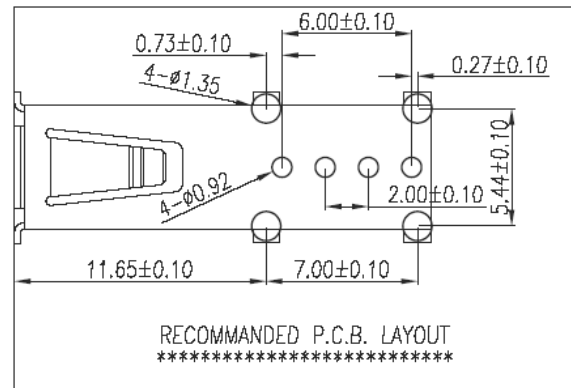
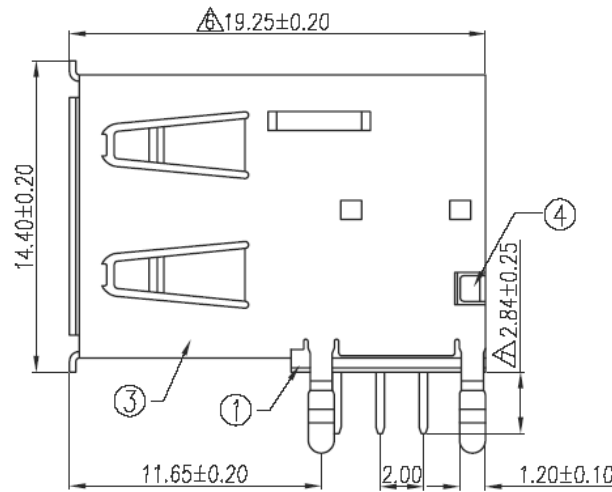
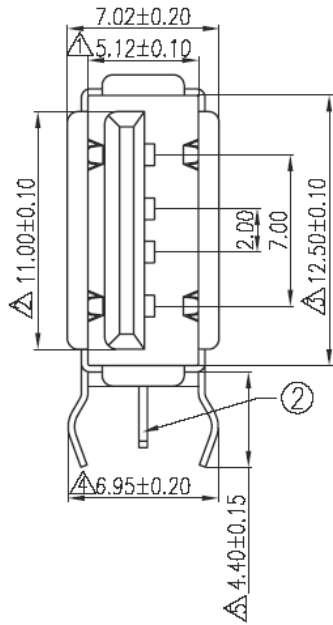
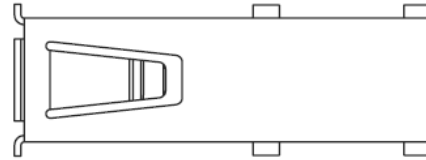
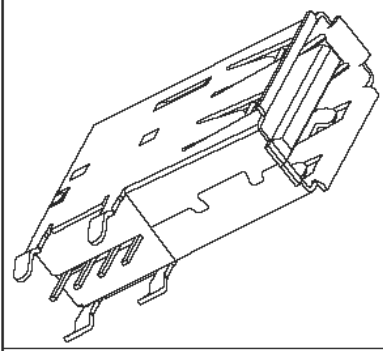


REV.	ECN NO	LOCATIONS	DESCRIPTION	DATE	REVISER	APPD
A1			變更後蓋材質SPCC → Brass	2009.05.22	黃義強	James

Note:

Specification:

1. Rated voltage and current: 1.5A at 250V AC Min.
2. Dielectric withstanding voltage: 500V AC/1 minute without breakdown.
3. Contact resistance: Before life test 30m ohm Max.
After life test 50m ohm max
4. Insulation resistance: 1000M ohm Min at DC 500V.
5. Insertion force: 35 Newtons Max.
6. Extraction force: 10 Newtons Min.
7. Solderability: Terminal shall be immersed in flux before text, Then dip in molten solder for 5±0.5 sec. At 245±5°C
8. Temperature range: -55°C~+85°C



4	Back-Shell	1	Brass	T=0.30mm	80~120u"Nickel Plated
3	Shell	1	Brass	T=0.30mm	80~120u"Nickel Plated
2	Contact	4	Brass	T=0.25mm	Contact area:30u"Gold Plated over 40u"Nickel min. Solder area:80~120u"Tin Plated over 40u"Nickel min.
1	Housing	1	P.B.T	UL 94-V0	Black
No.	Name	Q'ty	Material	Remarks & Thickness	Finish

PART NO:		MATERIAL:		HO CHIEN www.hochien.com	
MODEL NO:		FINSH:			
UNIT: mm	SIZE: A4	COLOR:	PART NAME:		
TOLERANCE UNSPECIFIED		DR: 黃義強 '09/05/22		HC-031-08-BK	
.x ±0.30	.xx ±0.20	CHK: James '09/05/22		DWG NO: S/A-400	REV: A1
.xxx ±0.10	ANG. ±1°	APP: Kent '09/05/22		SCALE: 1:1	SHEET: 1 of 1

ROHS Compliant