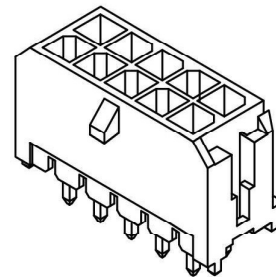


P.C.B. LAYOUT

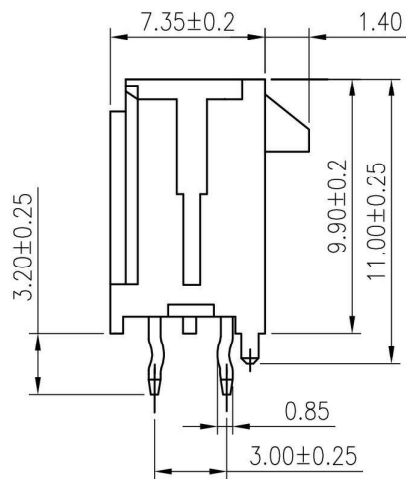
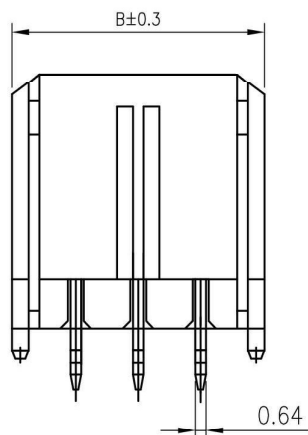


◆SPECIFICATIONS

- Current rating: 5A AC, DC
- Voltage rating: 250V AC,DC
- Temperature range: -25°C ~ +85°C
- Insulation resistance: 1000MΩ Min.
- Withstanding voltage: 1500V AC/ minute.
- Contact resistance: 10m Ω Max.

Material:

Insulator: PA46 UL 94V-0  
 Contact: Brass  
 Plating: Tin plated  
 Circuits: 2~24  
 Suitable: KR3000 series dual row Housing



Part No.	Dimensions (mm)	
	A	B
HCA3045-02	-----	6.65
HCA3045-04	3.0	9.65
HCA3045-06	6.0	12.65
HCA3045-08	9.0	15.65
HCA3045-10	12.0	18.65
HCA3045-12	15.0	21.65
HCA3045-14	18.0	24.65
HCA3045-16	21.0	27.65
HCA3045-18	24.0	30.65
HCA3045-20	27.0	33.65
HCA3045-22	30.0	36.65
HCA3045-24	33.0	39.65

	GENERAL TOLERANCE			UNIT: mm		DATE		TITLE: Molex 3.0 DIP 180° Wafer			<b>Ho Chien</b> www.hochien.com			
	.X ±0.3		X° ±1°	DRAWN:				VER.	SCALE:	N/A				PROJ
	.XX ±0.2		.X°	CHECKED:				A	SHEET:	1/1		DRAWING NO.		
	.XXX ±0.1			APPROVED:										
LTR	NAME	DATE	VERISION RECORD											