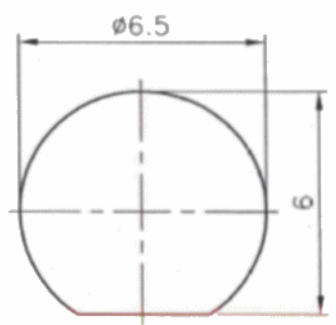


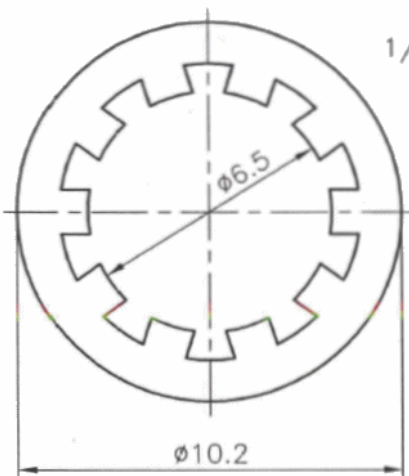
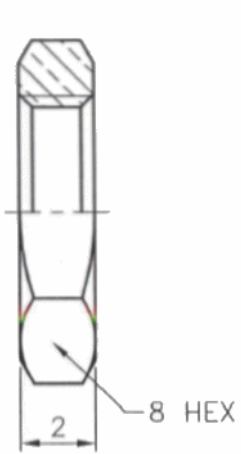
REVISIONS		DESCRIPTION\DATE
ISS	SYMBOL	

REMARK: RoHS COMPLIANT
(符合 RoHS)

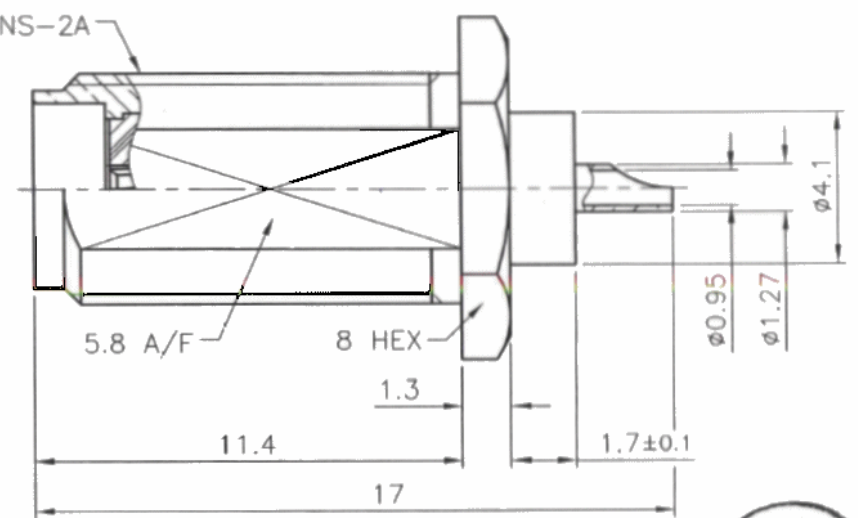
FOR CUSTOMER



RECOMMENDED MOUNTING HOLE
(建議架設孔)



1/4-36UNS-2A



- NOTES: FINISH (PLATING THICKNESS IN MICRO-INCHES)
- BRASS PER QQ-B-626
 - GOLD PL 3 MIN OVER NICKEL PL 70 MIN THICK OVER COPPER STRIKE
 - GOLD PL 30 MIN OVER NICKEL PL 70 MIN THICK OVER COPPER STRIKE
 - TEFLON MIL-P-19468
 - BERYLLIUM COPPER PER QQ-C-530



1. MAX. PANEL THICKNESS=3.2mm
(最大板厚)

					DIMENSIONS ARE IN MILLIMETERS				PART NO.			
					UNLESS OTHERWISE SPECIFIED TOLERANCES (一般公差) 0.5~6 = ±0.2 >6~30 = ±0.4 >30~120 = ±0.6 >120~315 = ±1 >315~1000 = ±1.6 ANGLES(角度) = ±5°				APPROVED		DATE	
NUT	NOTE 1	NOTE 2							Saf		09/12/06'	
WASHER	SS41	NOTE 2							Saf		09/12/06'	
CONTACT PIN	NOTE 5	NOTE 3							Saf		09/12/06'	
INSULATOR	NOTE 4	WHITE							Saf		09/12/06'	
BODY	NOTE 1	NOTE 2			Ane		09/12/06'					
NO.	DESCRIPTION	MATERIAL	FINISH	Q'TY	DRAWING NO.	SCALE	5/1	ISSUE	A1			

HO CHIEN
www.hochien.com

TITLE
SMA BULKHEAD RECEPT JACK

DRAWING NO. 7869BS501BD001B

FILE NO. Z:\NND\7869\BS\501\001\BDB-A1