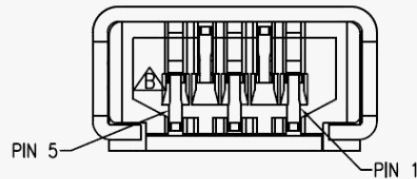
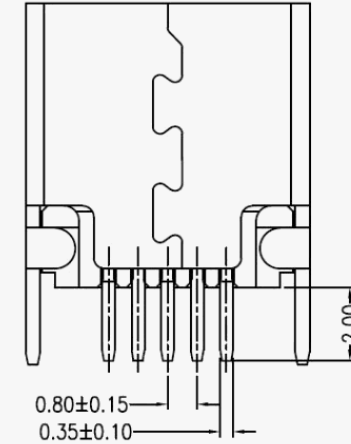
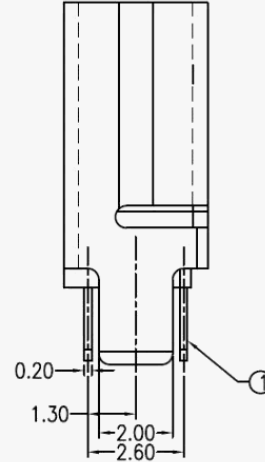
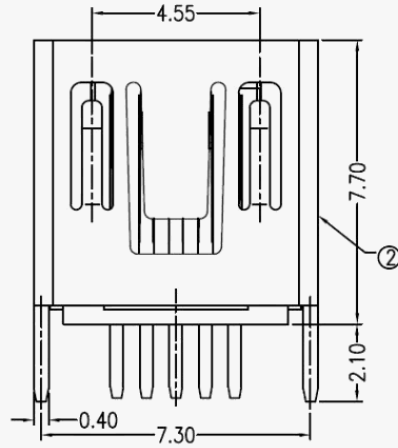


RECOMMENDED PCB LAYOUT(t=1.00±0.15)
COMPONENT SIDE



3	HOUSING	LCP	G.F. 30%, UL94V-0, COLOR: BLACK		
2	SHELL	COPPER ALLOY (t=0.40)	UNDER-PLATING: Cu 1.25um OVER-PLATING: Ni 1um		
1	TERMINAL	COPPER ALLOY (t=0.20)	CONTACT AREA: Au 0.76um SOLDER AREA: Sn 2.5um UNDER-PLATING: Ni 1.25um		
ITEM	DESC.	MATERIAL		REMARKS	PART REMARKS
APPROVED	CHECKED	DESIGN	DRAWN	PART NO.	AU61B005K0 SHT 1/1
		張宏偉	張宏偉	DESCRIPTION	MINI USB-B/F/180°/DIP CONNECTOR (CUSTOMER DRAWING)
				DRAWING NO.	AU6-A24 REV B

REV	DESCRIPTION	DATE	QUALITY SYMBOLS	TOLERANCES	UNIT	SCALE	DIM. ±0.30	ANGLE: ±3°
B	INCREASE CHAMFER	09-22-2006	■: CRITICAL	☒: MAJOR	mm	5:1		
A	DRAWING RELEASED	08-16-2006	▽: ZERO DEFECT	▽: S.P.C				
				HO CHIEN www.hochien.com				