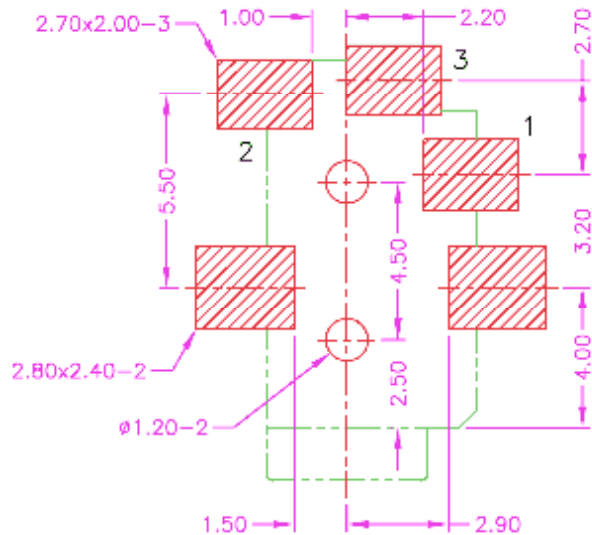
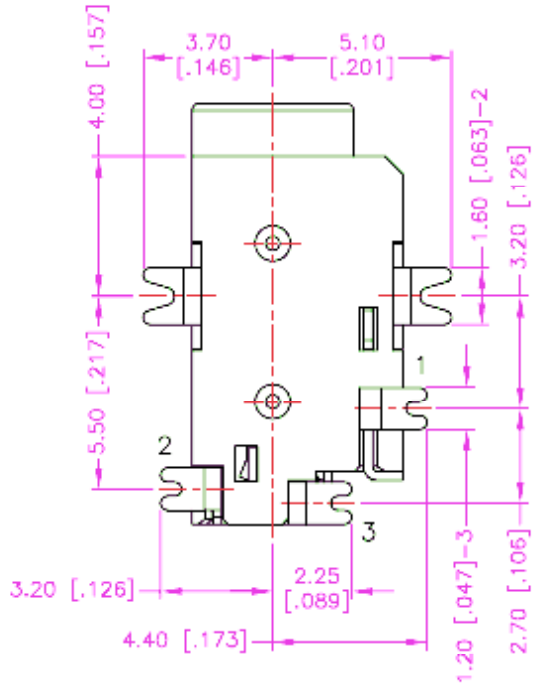
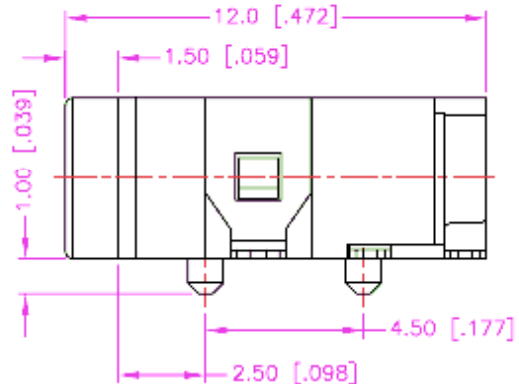
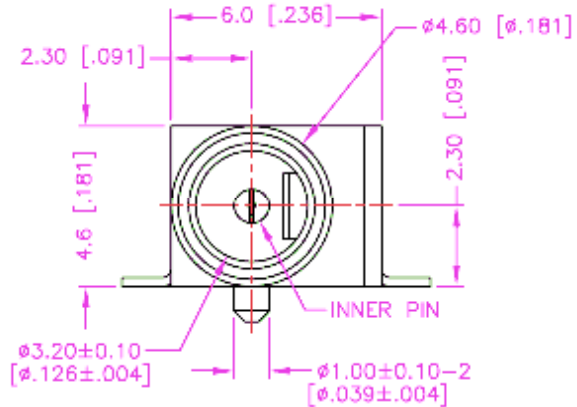


| REV. | DESCRIPTION | DATE |
|------|-------------|---------------|
| A | RELEASE | Apr 07, 2003 |
| B | DRAW MODIFY | May 03, 2004 |
| C | WECC MODIFY | Apr. 08, 2005 |
| D | RoHS MODIFY | Jan. 10, 2006 |



RECOMMEND P.C.B LAYOUT
TOP VIEW

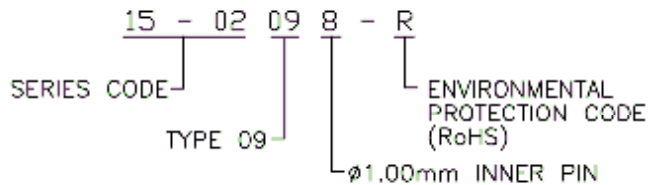
MATERIALS

1. HOUSING : NYLON 9T (UL 94V-0), BLACK.
2. CENTER PIN : BRASS, SILVER PLATING.
3. TERMINAL : BRASS, SILVER PLATING.
4. SHIELD : SPCC, TIN PLATING.
5. SPRING(#1 PIN) : TI-CU, SILVER PLATING.

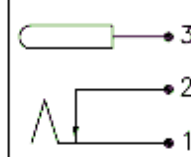
SPECIFICATION

1. CURRENT RATING : 2 AMP. MAX.
2. DIELECTRIC WITHSTANDING VOLTAGE : 500V AC R.M.S. FOR ONE MINUTE.
3. INSULATION RESISTANCE : 100M OHMS MIN. AT 500V DC
4. CONTACT RESISTANCE : 50m OHMS MAX.
5. OPERATING TEMPERATURE : -25°C TO +85°C.
6. DURABILITY : 5000 CYCLES.
7. MATING FORCE : 0.3 ~ 3.0kgs.
8. UNMATING FORCE : 0.3 ~ 3.0kgs.

ORDER INFORMATION



SCHEMATIC



| | | | |
|-------------------|---------|---------------|------|
| TOLERANCE | | DRAWER | |
| .0= \pm .30 | [.012] | ANY | |
| .00= \pm .20 | [.008] | CHECK | EVAN |
| .000= \pm .XXX | | APP'D | ERP |
| .0000= \pm . | | PRODUCT SPEC. | |
| ANG.= \pm 3' | | C522-0208 | |
| UNITS : mm [inch] | | SHEET | REV. |
| SCALE NONE | SIZE A4 | 1 OF 1 | D |

| | |
|------------------------------------|---|
| HO CHIEN www.hochien.com | |
| NAME | DC POWER JACK P.C.B. MOUNT, SMT TYPE FEMALE |
| DRAW NO. | C15-02098-R |
| 08005 | |