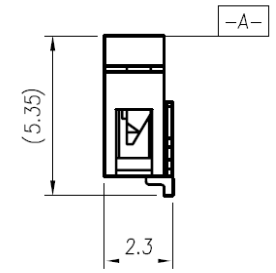
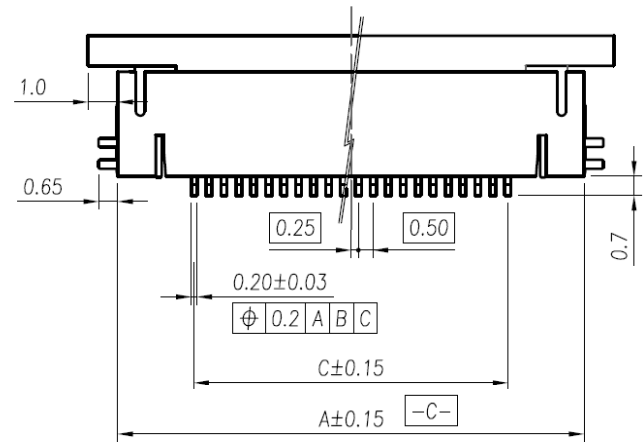
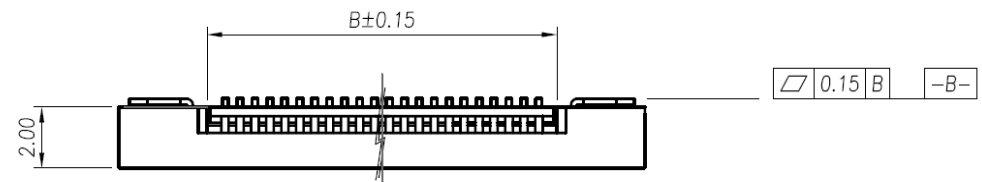
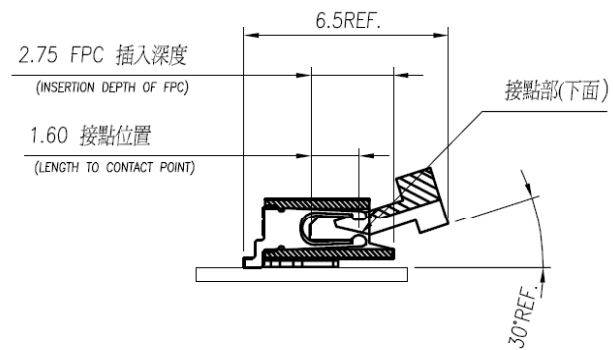


REV	MODIFICATION	DATE	DRAW
F	EN-04-0501	05.04.04"	TONY
G	EN-04-0649	06.29.04"	TONY
H	EN-06-0424	04.20.06"	TONY

NO. OF CONTACT	DIM. A	DIM. B	DIM. C
04	6.6	2.5	1.5
05	7.1	3.0	2.0
06	7.6	3.5	2.5
07	8.1	4.0	3.0
09	9.1	5.0	4.0
10	9.6	5.5	4.5
11	10.1	6.0	5.0
12	10.6	6.5	5.5
13	11.1	7.0	6.0
14	11.6	7.5	6.5
15	12.1	8.0	7.0
16	12.6	8.5	7.5
17	13.1	9.0	8.0
18	13.6	9.5	8.5
19	14.1	10.0	9.0
20	14.6	10.5	9.5
21	15.1	11.0	10.0
22	15.6	11.5	10.5
23	16.1	12.0	11.0
24	16.6	12.5	11.5
25	17.1	13.0	12.0
26	17.6	13.5	12.5
27	18.1	14.0	13.0
28	18.6	14.5	13.5
29	19.1	15.0	14.0
30	19.6	15.5	14.5
31	20.1	16.0	15.0
32	20.6	16.5	15.5
33	21.1	17.0	16.0
34	21.6	17.5	16.5
35	22.1	18.0	17.0
36	22.6	18.5	17.5
37	23.1	19.0	18.0
38	23.6	19.5	18.5
39	24.1	20.0	19.0
40	24.6	20.5	19.5
41	25.1	21.0	20.0
42	25.6	21.5	20.5
43	26.1	22.0	21.0
44	26.6	22.5	21.5
45	27.1	23.0	22.0
46	27.6	23.5	22.5
47	28.1	24.0	23.0
48	28.6	24.5	23.5
49	29.1	25.0	24.0
50	29.6	25.5	24.5

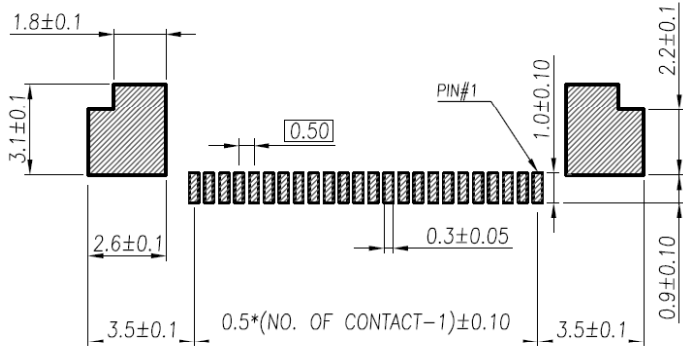


Ordering Information:
 FPC T F- B XX XX W C X 0
 BOTTOM ENTRY TYPE
 NO. OF CONTACT(04~50PIN)
 Contact Area Plating:
 T1 : TIN/LEAD 100u" 50u" NICKEL
 TT : LEAD FREE
 0 : TUBE PPP-FPC-001
 1 : TAPE&REEL PPP-FPC-002
 COVER COLOR:
 C:COFFEE
 HOUSING COLOR:
 W:WHITE

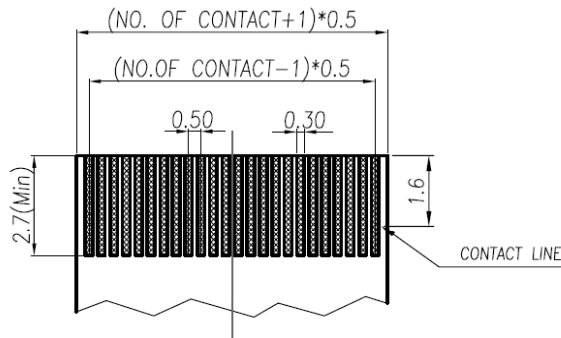


DIMENSION IN mm [Inch]		PROD. SPEC.	HO CHIEN www.hochien.com	
TOLERANCE UNLESS OTHERWISE SPECIFIED		SP0005	TITLE	CUSTOMER DRAWING
.X±0.30	X.*±	APPROVE	ZIF FPC/FFC 0.5mm BOTTOM ENTRY TYPE	
.XX±0.20	.X*±	CHECK	FILE NO. KFP-005	DWG NO. FPCTF-BXXXXWCX0
.XXX±0.10	.XX*±	DRAW	SIZE A4	PROJ. SHEET 1 / 2
			SCALE 4:1	REV H

REV	MODIFICATION	DATE	DRAW
F	EN-04-0501	05.04.04"	TONY
G	EN-04-0649	06.29.04"	TONY
H	EN-06-0424	04.20.06"	TONY



BOTTOM ENTRY
PC BOARD LAYOUT



FFC/FPC DIMENSION
THICKNESS:0.30±0.03mm

Ordering Information:

FPC T F- B XX XX W C X 0
 BOTTOM ENTRY TYPE
 NO. OF CONTACT(04~50PIN)
 Contact Area Plating:
 T1 : TIN/LEAD 100u" 50u" NICKEL
 TT : LEAD FREE
 HOUSING COLOR:
 W:WHITE
 0 : TUBE PPP-FPC-001
 1 : TAPE&REEL PPP-FPC-002
 COVER COLOR:
 C:COFFEE

Specifications

Material & Finish

Housing Material: Nylon 6T UL94V-0 / COLOR: White

Slider: PPS UL94V-0 /COLOR: Coffee

Plating:

Contacts: Copper alloy / Under plating : Nickel (50μ")Min.

Over plating : Tin alloy (100μ")Min.

Latch : Copper alloy / Under plating: Copper (50μ")Min.

Over plating: Tin alloy (100μ")Min.

Electrical Performance:

Rated current: 0.5A

Rated voltage: 50 VDC

Contact Resistance: 30Ω max. (at 20mVDC, 100mA max.)

Insulation Resistance: 100MΩ min. (at 500 VDC)

Dielectric Withstanding Voltage: AC 250V / 60 sec.

(Leak current must be 1mA max.)

Operating Temperature:-30° to +85°

DIMENSION IN mm [Inch]		PROD. SPEC. SP0005	HO CHIEN www.hochien.com	
TOLERANCE UNLESS OTHERWISE SPECIFIED		PKG. SPEC:	TITLE ZIF FPC/FFC 0.5mm BOTTOM ENTRY TYPE	CUSTOMER DRAWING
.X±0.30	.X"±	APPROVE	FILE NO. KFP-005	DWG NO. FPCTF-BXXXXWCX0
.XX±0.20	.X"±	CHECK	SIZE A4	PROJ. SHEET 2 / 2
.XXX±0.10	.XX"±	DRAW	SCALE 4:1	REV H