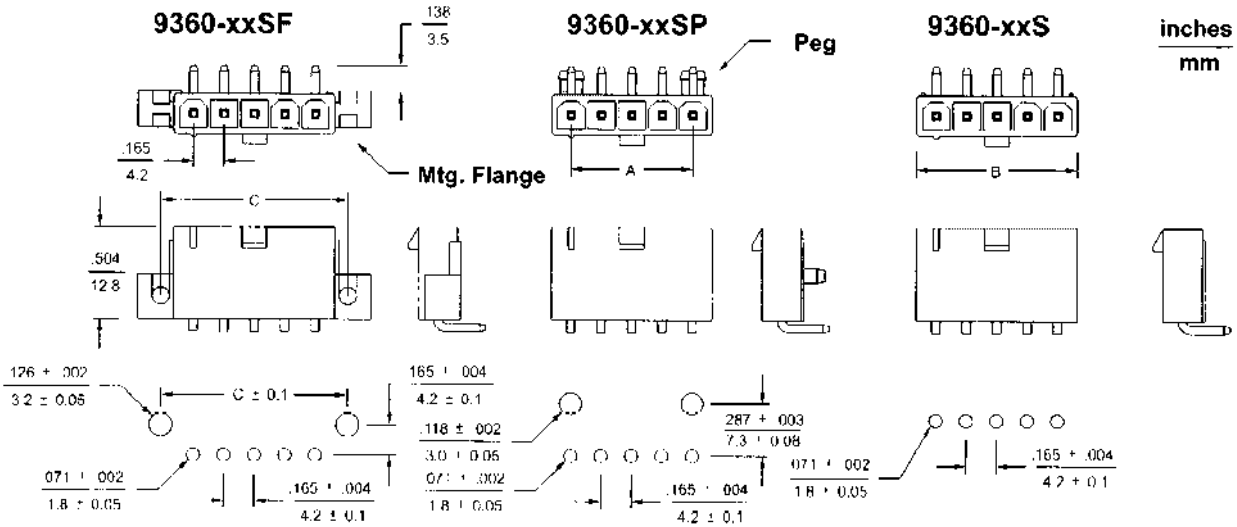


.165"(4.2mm) Single Row Connection System

HCA9360-XXS Right Angle Header

- 2 ~ 12 circuits available
- .045"(1.14mm) square wire pin
- Material: UL 94V-2 nylon 66
- Positive housing locks
- Mates with 9357-xxS housing
- UL file No.: E114003



P.C.B. hole dimensions

Dimensional Information - (mm)

Circuits	Dim. A	Dim. B	Dim. C
N	4.2 x (N - 1)	4.2 x N + 1.2	4.2 x N + 4.8

&& N = 2 ~ 12

Ordering Information

Feature	With Mtg. Flanges	With Mtg. Pegs	Without Mtg. Flanges & Mtg. Pegs
Part No.	9360-xxSF	9360-xxSP	9360-xxS