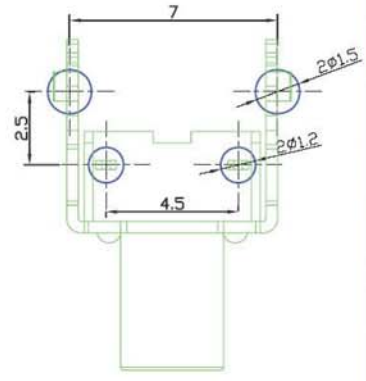
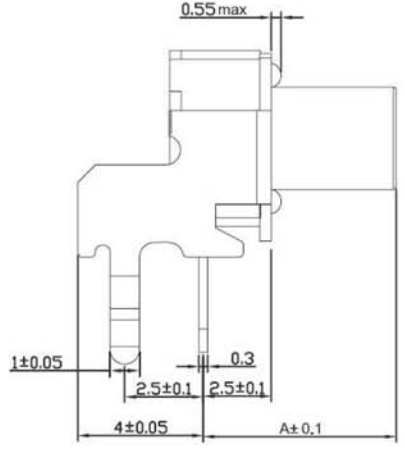
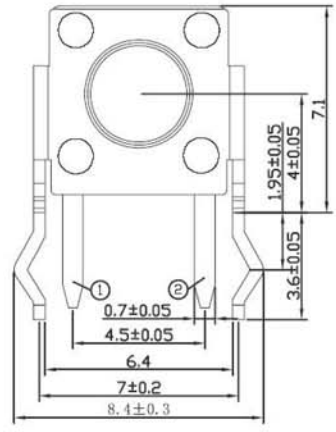


H(mm)	Ø(mm)	A(mm)
4.3	3.4	3.15
4.5	3.4	3.35
5.0	3.4	3.85
5.5	3.3	4.35
6.0	3.3	4.85
6.5	3.3	5.35
7.0	3.3	5.85
7.5	3.3	6.35
8.0	3.3	6.85
8.5	3.3	7.35
9.0	3.3	7.85
9.5	3.3	8.35
10.0	3.0	8.85
10.5	3.0	9.35
11.0	3.0	9.85
11.5	3.0	10.35
12.0	3.0	10.85
12.5	3.0	11.35
13.0	3.0	11.85
13.5	3.0	12.35
14.0	3.0	12.85
14.5	3.0	13.35
15.0	3.0	13.85
16.0	3.0	14.35

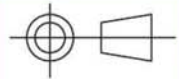


P.C.B LAYOUT TOP VIEW

Current Rating: 50mA, 12Vdc  
 Contact Resistance: 100 Milliohms. Max.  
 Insulation Resistance: 100 Megohms Min  
 Dielectric Strength: 1000V AC  
 Push Force: 260 +/- 50gF  
 Life: 80000 cycle  
 Operation Temperature: -55oC to +105oC

TITLE	TACT SWITCH	DRAWN	张鹏	TOLERANCE OTHERWISE UNLESS SPECIFIED						
PART.NO.	KFC-A06-H	CHECKED	黄光雪	UP TO 5	±0.2					
DRAW.ND.		APPROVED	赵崇生	ABOVE 5-30	±0.3					
SCALE	5:1	UNIT	mm	DATE	26-11-2010					

HO CHIEN  
www.hochien.com



CHANGE TAGS	CHANGE DATE	CHANGES	REVIEW	CHECKED	COUNTERSIGN	APPROVAL
-------------	-------------	---------	--------	---------	-------------	----------