

WIRING	
PIN 1	YELLOW
PIN 2	BLUE
PIN 3	RED
PIN 4	BLACK
PIN 5	GREEN

SPECIFICATIONS:

Connector:

P1= 5 Position .100 [2.54] Crimp housing
Contacts: Brass, Tin plated

P2= .375" [9.52mm] Strip & retain

Wire:

24 Awg stranded Tinned Copper, 7 x 32, PVC insulation, 300V, 80°C, UL Type 1007, colors; Yellow, Red, Black & Green

Mechanical:

Crimp terminal in housing shall withstand an axial pullout force of 3.5lb [15.57N]. The sampling plan is MIL-STD-105E, General Level II, AQL=0.10

Electrical:

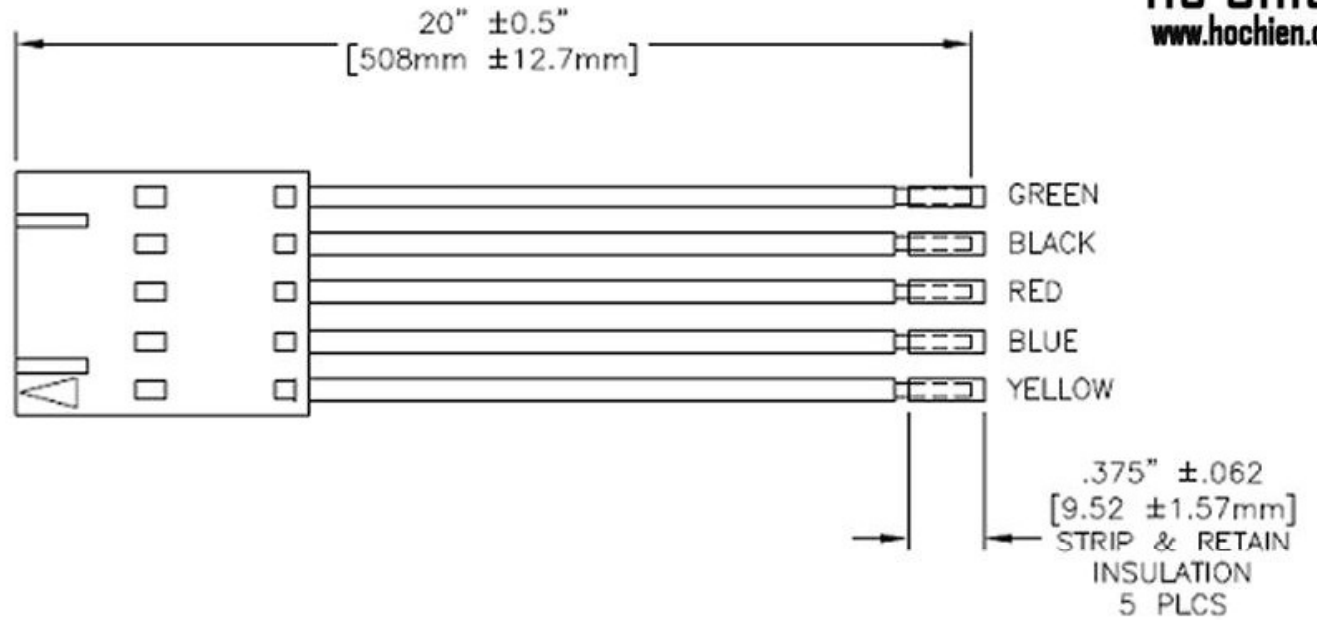
Voltage: 300V AC/DC

Electrical Test:

All Assemblies must be 100% Tested for Shorts, Open, Continuity, and Physical Appearance.

Environmental:

Lead free, RoHS compliant



CRIMP TERMINAL RETENTION FORCE IN HOUSING SHALL WITHSTAND 3.5 lbs [15.57N]

P/N: CA-B8155-0003