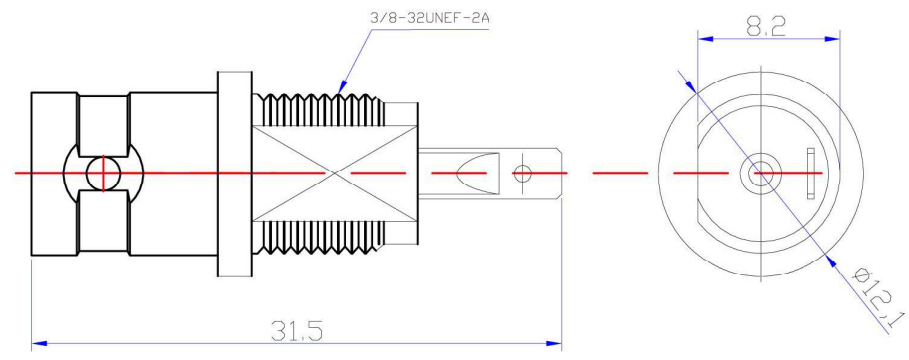
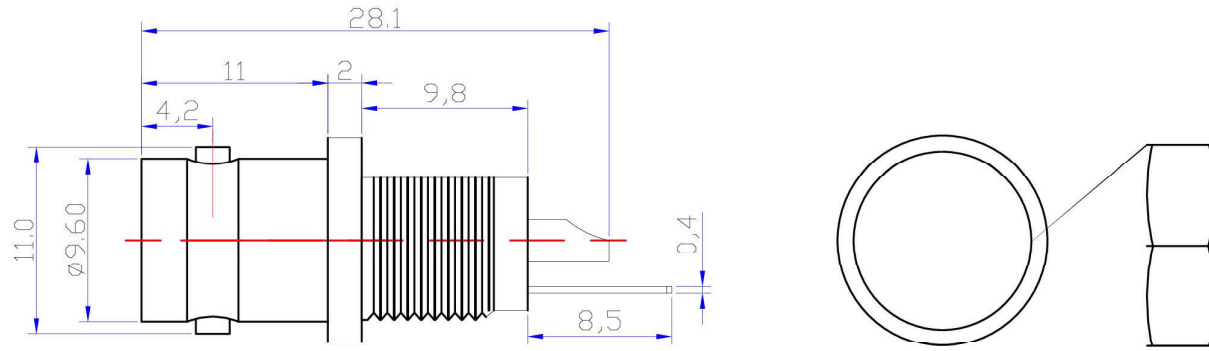




Product NO.		HC-801-0153		
REV	DESCRIPTION	DWN	DATE	APPROVEN



**Specification:**

Impedance: 50/75 Ohms  
 VSWR:1.3MAX  
 Frequency range:DC~4G  
 Working Voltage:500V rms @ sea level  
 Insulation resistance:5000 Ohms min  
 Temperature range:-55°C TO +155°C  
 Relative temperature:≤95%(40° C±2° C)  
 Drawings products are in line with ROHS standards.

NOTE:	Tolerance	0-6 ±0.2 6-30 ±0.3 30-120 ±0.5 Angular ±2°
DRAWN	View	
CHECKED	UNIT	MM
APPROVALS	SCALE	1:1

<b>Ho Chien</b> www.hochien.com	
Name: BNC FEMALE CONNECTOR	
SIZE A	Product NO. HC-801-0153
DateTime	CAD FILE
SHEET: 1 OF 1	

1	Body	Brass	NI:80-120u"	1
2	Center contact	Brass	AU:3u"	1
3	Insulation	POM	White	1
4	Insulation	POM	NI:80-120u"	1
NO	Component Number	Material	Finish	QTY