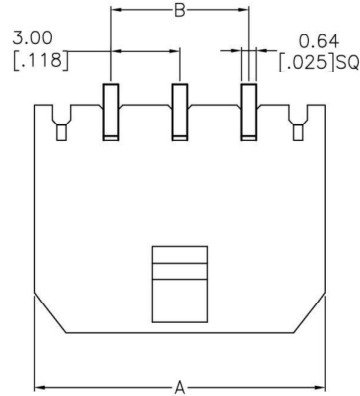


# HSF

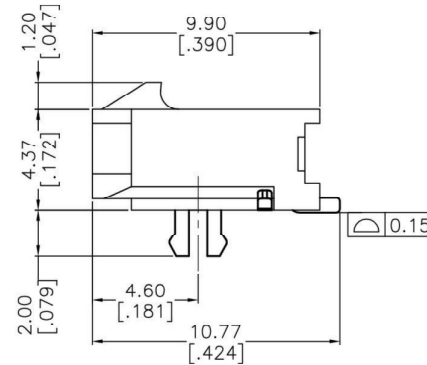
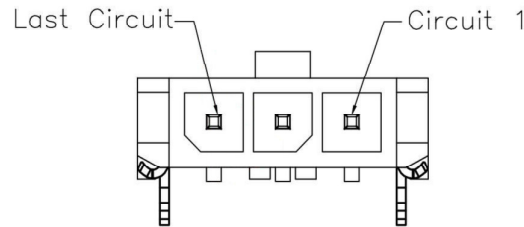
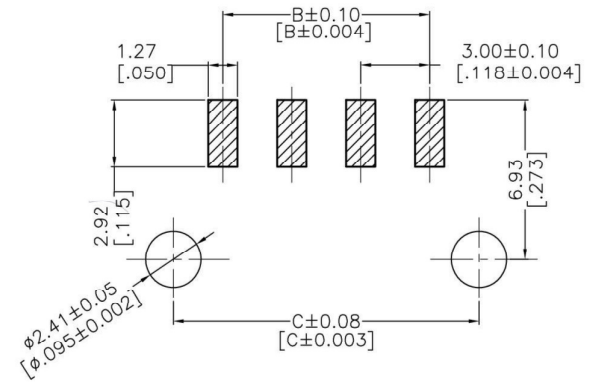
**NOTES:**

Current Rating:5.0A AMP  
 Contact Resistance:10milliohm Max  
 Withstand Voltage:1000V AC/Minute  
 Insulation Resistance:1000Megohm Min  
 Operation Temperature:-25°C to +85°C

Housing Material:LCP+30%GF(UL94V-0)  
 Contact Material:Copper alloy  
 Contact plating:Au/Sn over Ni Plating



**RECOMMENDED PCB LAYOUT**  
 TOLERANCE IS  $\pm 0.05$



Circuit	A	B	C
02	9.65[0.380]	3.00[0.118]	7.30[0.287]
03	12.65[0.498]	6.00[0.236]	10.30[0.405]
04	15.65[0.616]	9.00[0.355]	13.30[0.524]
05	18.65[0.735]	12.00[0.473]	16.30[0.642]
06	21.65[0.853]	15.00[0.591]	19.30[0.760]
07	24.65[0.971]	18.00[0.709]	22.30[0.878]
08	27.65[1.089]	21.00[0.827]	25.30[0.996]
09	30.65[1.207]	24.00[0.945]	28.30[1.114]
10	33.65[1.325]	27.00[1.063]	31.30[1.232]
11	36.65[1.443]	30.00[1.181]	34.30[1.350]
12	39.65[1.561]	33.00[1.299]	37.30[1.468]

REV	DATE	MODIFICATION DESCRIPTION	CHANGE	OPERATION	DRAW	DATE	SCALE	PART NO.
				X.X ±0.40			1:1	HCA3046-XXRS
				X.XX ±0.25	CHECK	DATE	UNIT	TITLE:
				X.XXX ±0.15			mm	3.0 WAFER SINGLE ROW
				Angle ± 3'	APPROVE	DATE	inch	90° SMT WITH CLIP
				DIM TOL			A4	Customer NO.
							1/1	
							PROJ.	

**Ho Chien**  
[www.hochien.com](http://www.hochien.com)