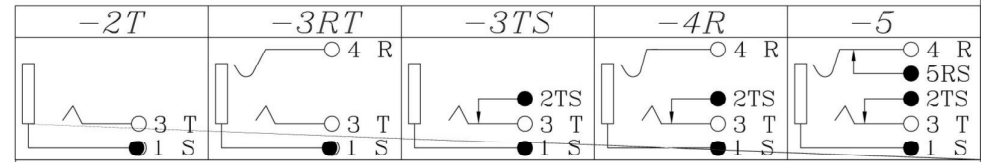
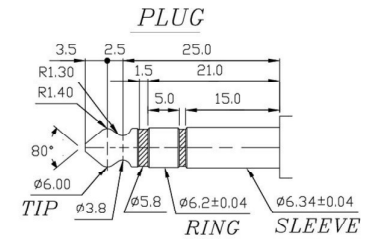
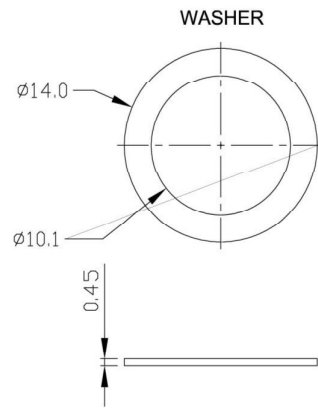
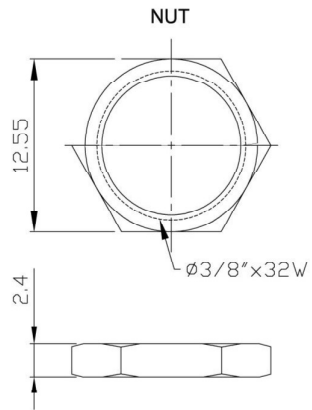
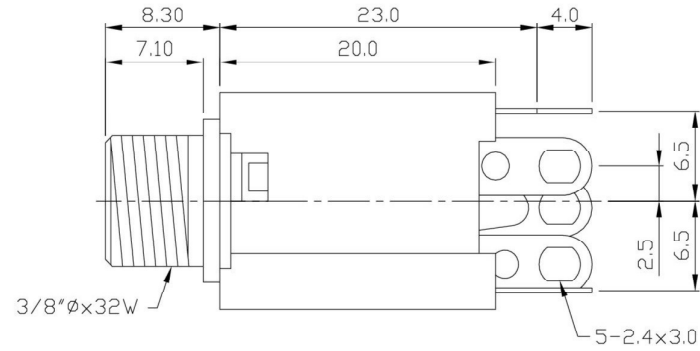
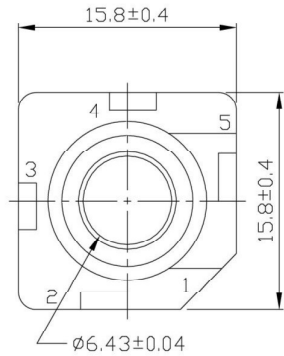


HISTORY X COUNT	DATE	ECN NO.	REV.	REVISION	SIGN



**Ho Chien**  
www.hochien.com

9	WASHER	1	IRON SHEET	NICKEL	
8	NUT	1	IRON SHEET	NICKEL	
7	HOUSING	1	PBT-94V0		BLACK
6	SCREW	1	BRASS	NICKEL	
5	RING SHUNT	1	BRASS	SILVER	
4	RING	1	P.B.S	SILVER	
3	TIP	1	P.B.S	SILVER	
2	TIP SHUNT	1	BRASS	SILVER	
1	SLEEVE	1	BRASS	SILVER	
<b>NO</b>	<b>PART NAME</b>	<b>Q'TY</b>	<b>MATERIAL</b>	<b>PLATED</b>	<b>REMARK</b>

<b>TOLERANCE</b> X. ±0.5 X.X ±0.3 X.XX ±0.15	Material		<b>PART NAME</b>	<b>HEADPHONE JACK</b>	
	Thickness		<b>PART NO.</b>	<b>LJ-0696F-5</b>	
	Disposal		<b>DATE</b>	<b>REV:</b>	
	UNIT	SCALE	<b>DRAW</b>	<b>CHECK</b>	<b>APPROVED</b>
	mm	2:1			