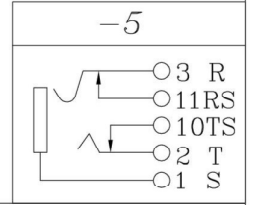
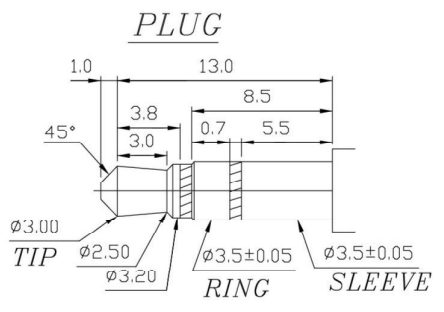
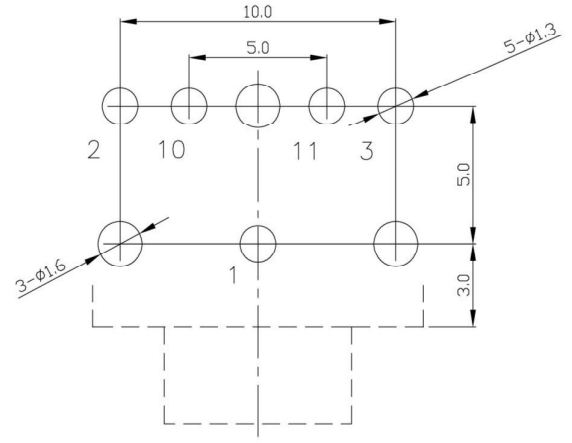
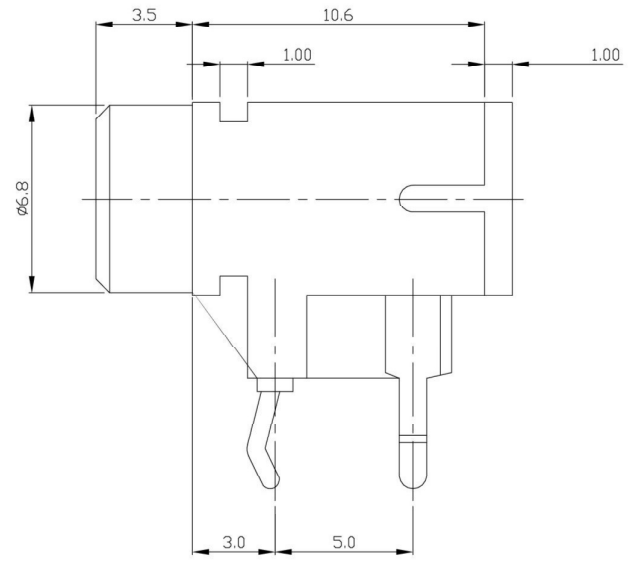
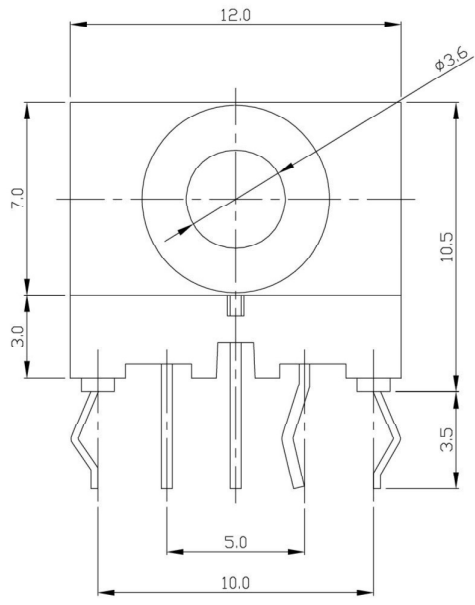


| HISTORY X (COUNT) | DATE | ECN NO. | REV. | REVISION | SIGN |
|-------------------|------|---------|------|----------|------|
| 1 | | | | | |



| NO | PART NAME | Q'TY | MATERIAL | PLATED | COLOR |
|----|------------|------|----------|-----------|-------|
| 11 | RING SHUNT | 1 | BRASS | Matte Tin | |
| 10 | TIP SHUNT | 1 | BRASS | Matte Tin | |
| 5 | HOUSING | 1 | PA6T | | BLACK |
| 4 | COVER | 1 | PA6T | | BLACK |
| 3 | RING | 1 | P.B.S | Matte Tin | |
| 2 | TIP | 1 | P.B.S | Matte Tin | |
| 1 | SLEEVE | 1 | BRASS | Matte Tin | |

Ho Chien

www.hochien.com

| | | | | | | |
|---|------------------|--------------|------------------|---------------|----------------|---|
| TOLERANCE X. ±0.5 X.X ±0.3 X.XX ±0.15 | <i>Material</i> | | <i>PART NAME</i> | EARPHONE JACK | | |
| | <i>Thickness</i> | | <i>PART NO.</i> | LJE0361 5 | | |
| | <i>Disposal</i> | | <i>DATE</i> | 08/SEP/08' | <i>REV:</i> | A |
| | <i>UNIT</i> | <i>SCALE</i> | <i>DRAW</i> | <i>CHECK</i> | <i>APPROVE</i> | |
| | mm | 4:1 | Chris | Ken | Ken | |