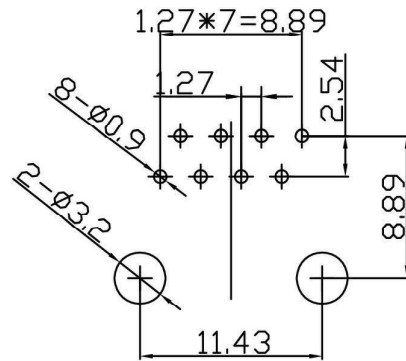
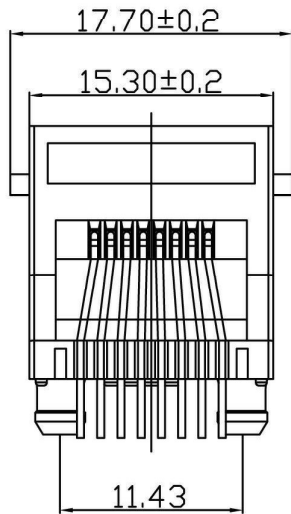
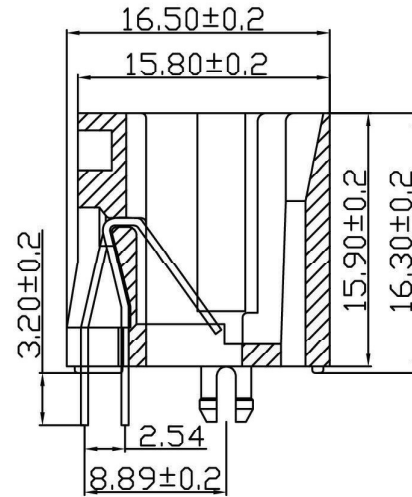
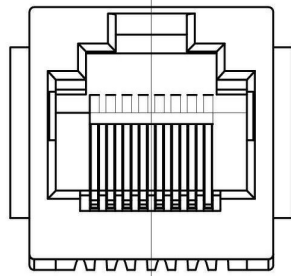


REV	ECN NO.	DATE



PC Board Layout
Component Side Shown

NOTES:

MATERIAL

- 1. HOUSING MATERIAL : GLASS FILLED POLYESTER UL94V-0.
- 2. CONTACT MATERIAL : PHOSPHOR BRONZE ∅0.45mm.
- 3. PLATING : GOLD PLATING OVER NICKEL.
FU", 3U", 6U", 15U", 30U", 50U"

ELECTRICAL:

- 1. VOLTAGE RATING : 125 VAC RMS.
- 2. CURRENT RATING : 1.5 AMP.
- 3. CONTACT RESISTANCE : 30 MILLIOHMS MAX.
- 4. INSULATION RESISTANCE : 500 MEGOHMS MIN @ 500V DC .
- 5. DIELECTRIC WITHSTANDING RESISTANCE : 1000V AC RMS 50Hz. 1MIN.

MECHANICAL:

- 1. DURABILITY : 750 CYCLES MIN.
- 2. PCB RETENTION PRE-SOLDER : 1 LB MIN.

ENVIRONMENTAL:

- 1. STORAGE : -40°C TO 85°C.
- 2. OPERATION : 0°C TO 70°C.

RoHS Compliant

TOLERANCES		DATE		Ho Chien www.hochien.com			
mm							
.0± 0.30	±	MATERIAL		PART NO.		SIZE	
.00± 0.25	±	FINISH		TM-52A8811B		A4	
.000± 0.10	±	SCALE	1:1	UNIT	mm	SHEET 1 OF 1	
ANGLES	± 1°	Designed		Checked		01	Approved
 THIRD ANGLE PROJECTION							