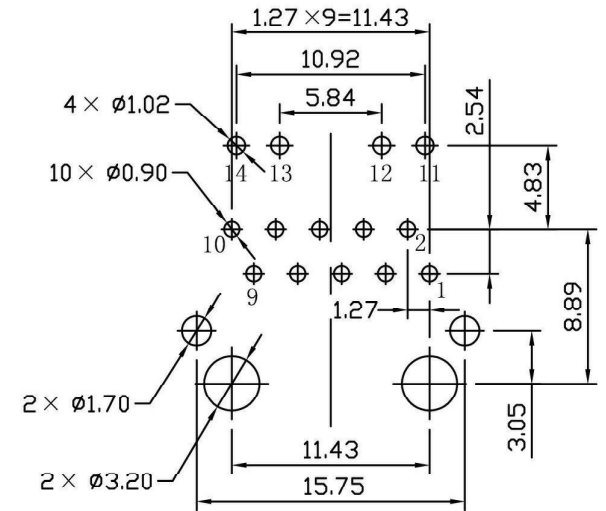
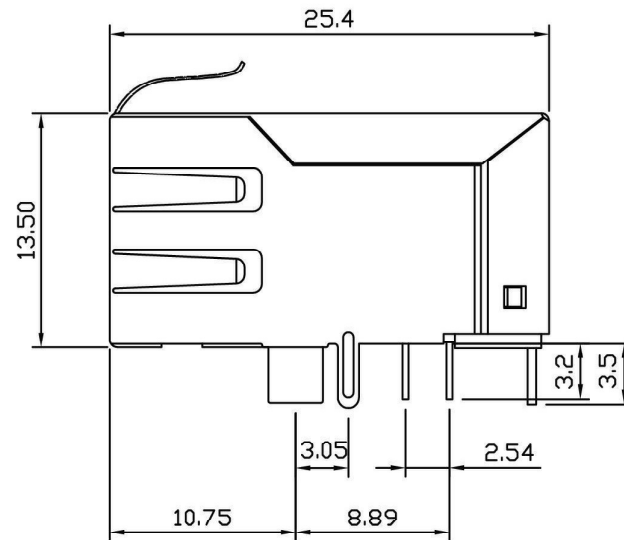
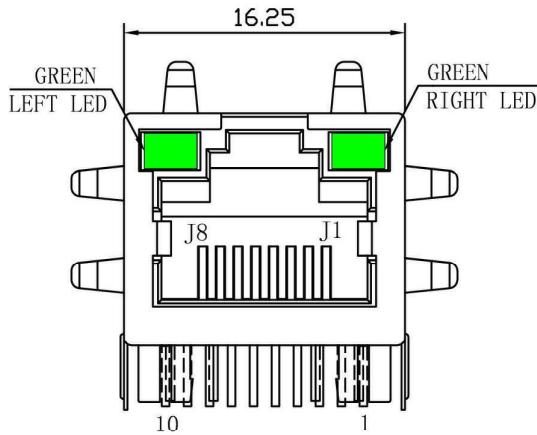
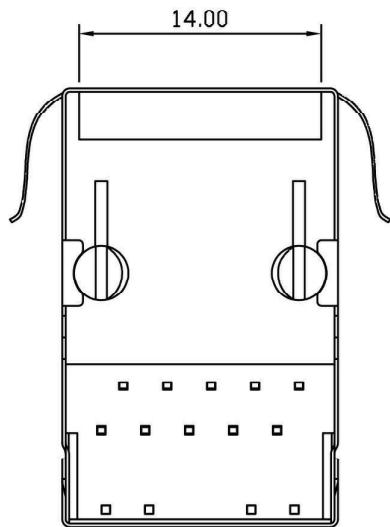


Mechanical:

REV.	ECN NO.	DESCRIPTION	DATE	APPD



SUGGESTED PCB LAYOUT (TOP VIEW)



NOTES:

1. Designed to support application, such as SOHO (ADSL modems), LAN-on-Motherboard (LOM), hub and Switches.
2. Meets IEEE 802.3 specification
3. Connector Materials:  
 Housing: Thermoplastic UL94V-0  
 Contact/Shield: Copper alloy  
 Shield plating: Nickel  
 Contact plating: Gold 6 micro-inches min. In contact area.
4. Wave solder tip temperature: 265°C Max  
 Wave solder tip temperature time: 5 Sec Max
5. UL Certification: File Number E321120.

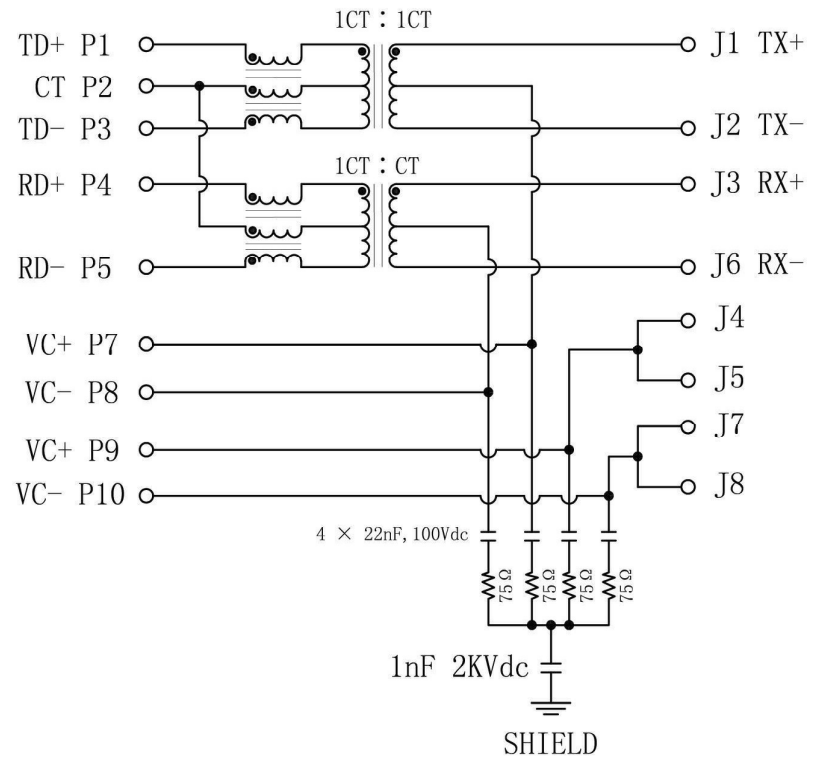


X:X	±0.25	APPD:	<b>Ho Chien</b> www.hochien.com	
X:XX	±0.20	CHKD:		
X:XXX	±0.05	DR:	TITLE: RJ45 Connector with 10/100 Base-T Integrated Magnetics For PoE Application	
ANGLES	±1°	UNIT: mm	PART NO.:	TRJ1096AWN
	SCALE: 2/1	SHEET: 1/2	REV: A	DWG NO.:

Schematic:

REV.	ECN NO.	DESCRIPTION	DATE	APPD

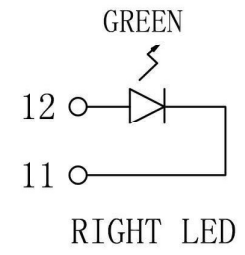
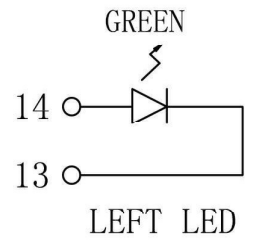
PC BOARD CONNECTIONS



RJ45 CONNECTOR

Electrical Specifications @25°C

1. OCL: 350uH Min  
@100KHz 100mV 12mA DC Bias
2. Turns Ratio:  
TX=1CT : 1CT ±2%  
RX=1CT : 1CT ±2%
3. Insertion Loss:  
1-100MHz:-1.5dB Max
4. Return Loss(@100 OHMS):  
1-30MHz:-16dB Min  
60-80MHz:-10dB Min
5. Crosstalk:  
1-100MHz:-30dB Min
6. Balanced DC line current:  
Used pairs: 700mA Max  
Unused pairs: 700mA Max
7. Hipot: 2000Vrms
8. Operating Temperature Range: 0°C~70°C.



X:X ±0.25	APPD:	<b>Ho Chien</b> www.hochien.com		
X:XX ±0.20	CHKD:			
X:XXX ±0.05	DR:			
ANGLES ±1°	UNIT: mm	TITLE: RJ45 Connector with 10/100 Base-T Integrated Magnetics For PoE Application		
PART NO.: TRJ1096AWN				
	SCALE: 2/1	SHEET: 2/2	REV: A	DWG NO.: